



# UHF DOUBLE CIRCULATOR

225 ÷ 400 MHz, 100 W

T19530601

POLOMARCONI.IT

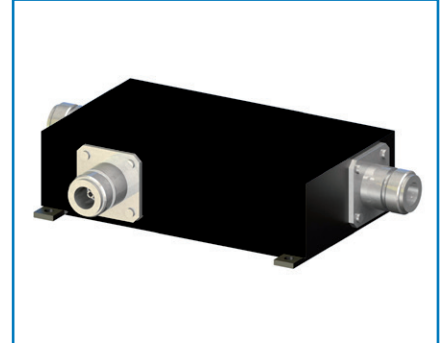


POLOMARCONI offers a very wide range of wireless products. Our products can be tailored according to the customer's need.

ATC

## Electrical Specifications

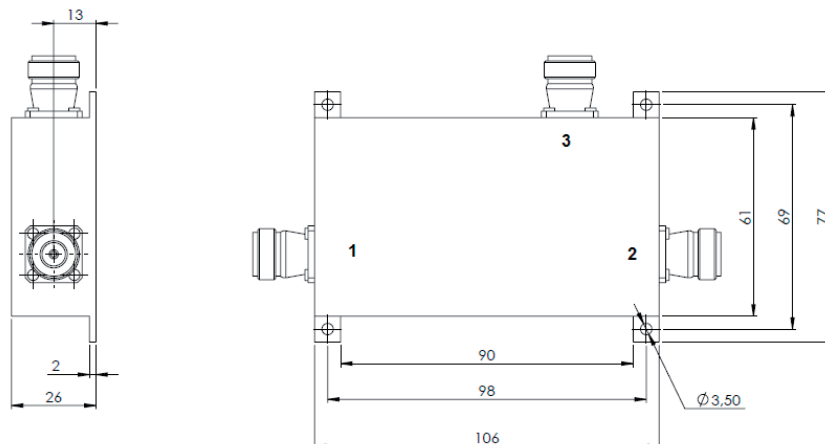
Tuning Range (MHz)	225 ÷ 400
Impedance ( $\Omega$ )	50
VSWR	< 1.3:1
Continuous Max. Power (W)	100
Insertion Loss (dB)	< 1.5
Isolation (dB)	> 38
Operation Temp. Range ( $^{\circ}$ C)	-20 ÷ +60



## Mechanical Specifications

Connectors	3 × N f
Dimensions (mm)	106 x 77 x 26
Weight (kg)	< 1.5
Colour	RAL 9005

## Dimensions (mm)



Made in Italy. We reserve the right to modify these data without any notice.