



3 WAYS CIRCULATOR

854 ÷ 921 MHz

T19150901

POLOMARCONI.IT



POLOMARCONI offers a very wide range of wireless products. Our products can be tailored according to the customer's need.

PMR

Electrical Specifications

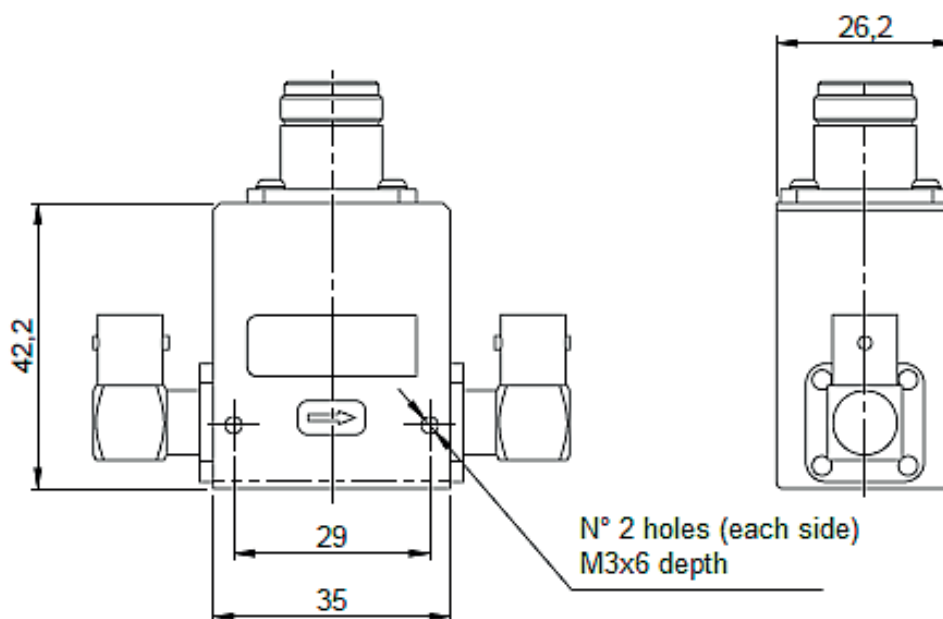
Frequency band (MHz)	854 ÷ 921
Impedance (Ω)	50
Return Loss (dB)	≥ 23
Continuous Max. Power (W)	70
Insertion Loss (dB)	≤ 0.35
Isolation (dB)	≥ 23
Operating Temperature Range ($^{\circ}\text{C}$)	-10 ÷ +75



Mechanical Specifications

Connector	1 N f 2 BNC f
Dimensions (mm)	see table
Weight (g)	< 250
Fixing	Nr. 2 holes for each side M3× L=6mm depth

Dimensions (mm)



Made in Italy. We reserve the right to modify these data without any notice.