



4 WAYS ACTIVE RECEIVER MULTICOUPLER

380 ÷ 470 MHz, Vac

T13030701

POLOMARCONI.IT

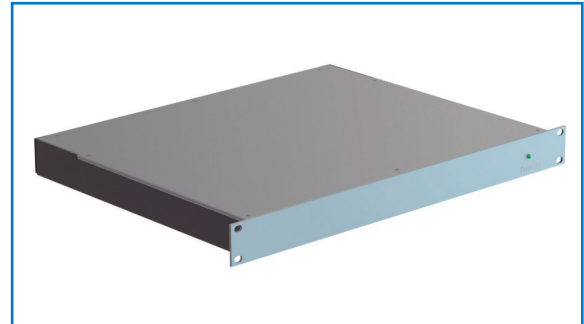


POLOMARCONI offers a very wide range of wireless products. Our products can be tailored according to the customer's need.

PMR

Electrical Specifications

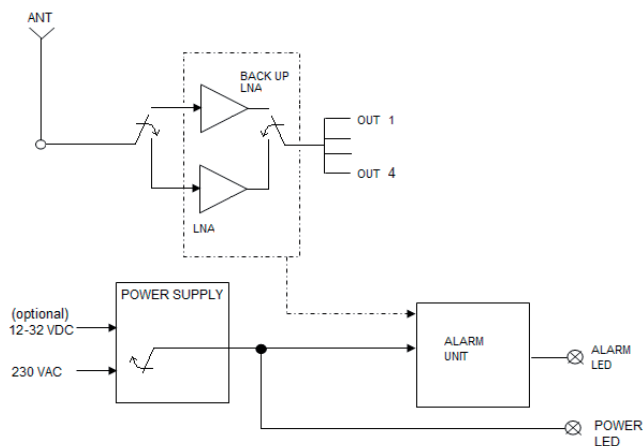
Frequency Band (MHz)	380 ÷ 470	
Impedance (Ω)	50	
Nr. of outputs	4	
Nr. of antenna ports	1	
VSWR	INPUT ports	< 2:1
	OUTPUT ports	< 1.5:1
Power supply (V_{AC})	230	
Current consumption (mA)	< 250	
Noise figure (dB)	< 5	
Gain (dB)	4 ± 2	
Isolation (dB) OUTPUT-OUTPUT	≥ 20	
Isolation (dB) OUTPUT-INPUT	≥ 20	
Operation Temp. Range ($^{\circ}C$)	$-20^{\circ} \div +55^{\circ}$	
Electrical safety	EN 60950	
	EN 60215	
EMI/EMC	ETSI EN 301 489-1 / -18	



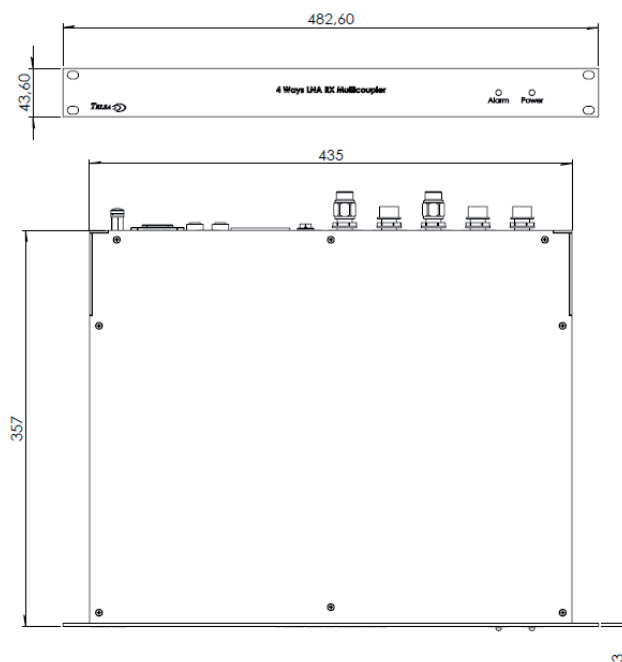
Mechanical Specifications

Connectors	RF	Nf
	AC Power	IEC C14
Dimensions	19" x 1U x 357 mm	
Weight (kg)	< 2	
Color	RAL 7035	

Electric Schematic



Dimensions (mm)



Made in Italy. We reserve the right to modify these data without any notice.