



UHF ASYMMETRICAL HYBRID COUPLER

350 ÷ 520 MHz

T09210606

POLOMARCONI.IT



POLOMARCONI offers a very wide range of wireless products. Our products can be tailored according to the customer's need.

PMR

Electrical Specifications

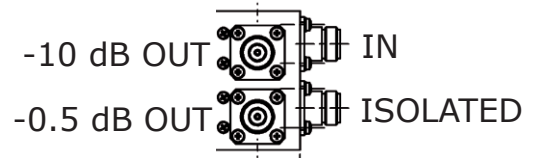
Frequency Band (MHz)	350÷520
Impedance (Ω)	50
Return Loss (dB) all ports	≥ 20
Isolation (dB)	≥ 25
OUTPUTS Unbalancing (dB)	-0.5 ± 0.1 -10 ± 0.3
Continuous Max. Power (W)	100
Operation Temp. Range ($^{\circ}\text{C}$)	$-10^{\circ} \div +50^{\circ}$

Mechanical Specifications

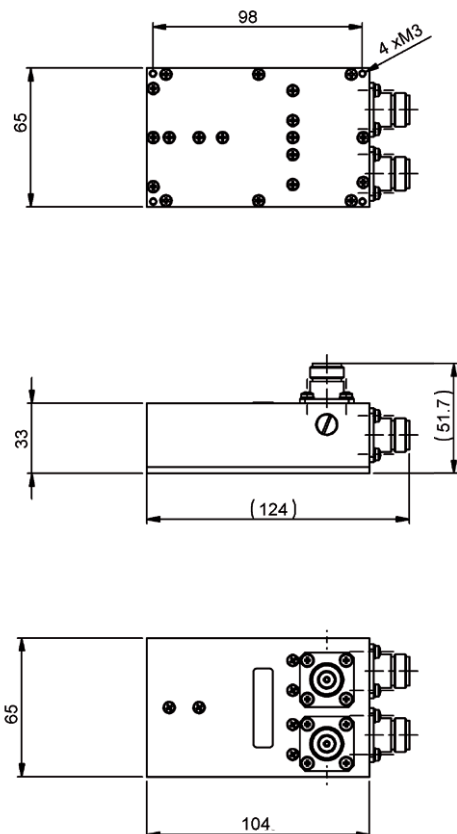
Connector	4 x N f
Dimensions (mm)	104 x 33 x 65
Weight (kg)	< 0.47
Colour	RAL 9011 (graphite black)



PORTS CONNECTIONS



DIMENSIONS (mm)



Made in Italy. We reserve the right to modify these data without any notice.