



VHF SYMMETRICAL HYBRID COUPLER

147 ÷ 174 MHz

T09110501

POLOMARCONI.IT

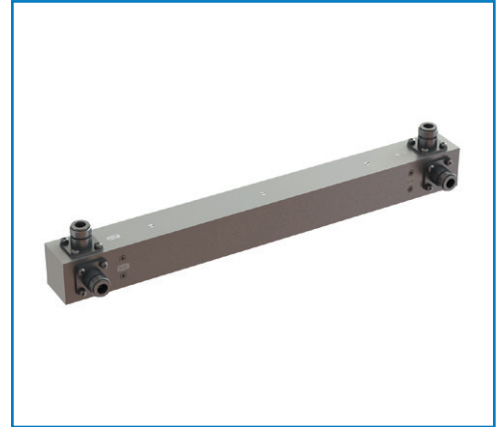


POLOMARCONI offers a very wide range of wireless products. Our products can be tailored according to the customer's need.

PMR

Electrical Specifications

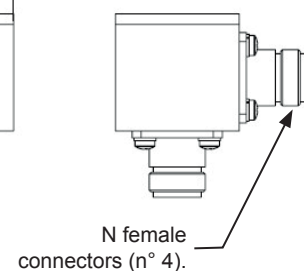
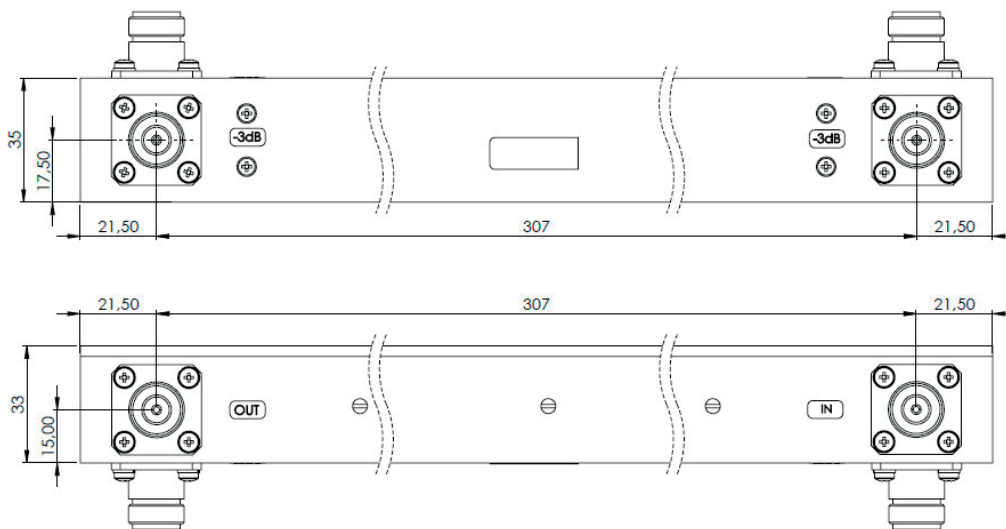
| | |
|--|--------------------------------|
| Frequency band (MHz) | 147 ÷ 174 |
| Impedance (Ω) | 50 |
| Return Loss (dB) all ports | > 20 |
| Continuous Max. Power (W) | 100 |
| Insertion Loss (dB) | $\leq 3 \pm 0.5$ |
| Isolation (dB) | > 25 |
| Operation Temp. Range ($^{\circ}\text{C}$) | $-10^{\circ} \div +50^{\circ}$ |



Mechanical Specifications

| | |
|-------------------|--------------------------|
| Connectors | N f |
| Dimensions (mm) | 350 × 35 × 33 |
| Weight (Kg) | 1 |
| Material | Aluminum |
| Surface Treatment | SURTEC 650 chromitAL TCP |

Dimensions (mm)



Made in Italy. We reserve the right to modify these data without any notice.