



VHF SYMMETRICAL HYBRID COUPLER

66 + 80 MHz

T09110202

POLOMARCONI.IT



POLOMARCONI offers a very wide range of wireless products. Our products can be tailored according to the customer's need.

PMR

Electrical Specifications

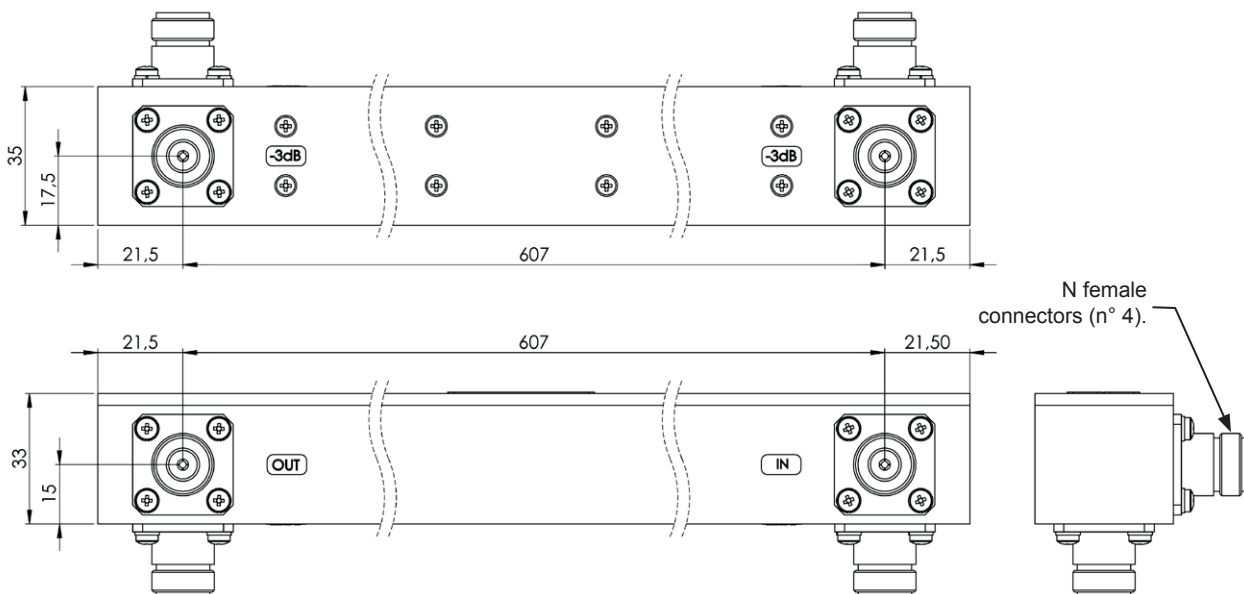
Frequency band (MHz)	66 ÷ 80
Impedance (Ω)	50
VSWR	≤ 1.2
Continuous Max. Power (W)	100
Insertion Loss (dB)	3 ± 0.4
Isolation (dB)	≥ 25
Operation Temp. Range ($^{\circ}\text{C}$)	$-10^{\circ} \div +50^{\circ}$



Mechanical Specifications

Connector	N f
Dimensions (mm)	650 × 35 × 53
Weight (Kg)	1.6
Material	Aluminum

Dimensions (mm)



Made in Italy. We reserve the right to modify these data without any notice.