



BRANCHING SYSTEM 4 WAYS

2m, 70cm, UMTS, LTE

T06993504

POLOMARCONI.IT



POLOMARCONI offers a very wide range of wireless products. Our products can be tailored according to the customer's need.

PMR

Electrical Specifications

Channels

2m band

VHF1	140 ÷ 174 MHz
VHF2	

70cm band

UHF1	350 ÷ 520 MHz
UHF2	

UMTS, LTE bands

Optional Port 1 (Opt1)	350 ÷ 2700 MHz
Optional Port 2 (Opt2)	

Insertion loss

VHF1, VHF2/ANT (dB)	≤ 16
UHF1, UHF2/ANT (dB)	≤ 16
VHF1, VHF2/SK _i (dB)	≤ 9
UHF1, UHF2/SK _i (dB)	≤ 9
Optional Port 1 (Opt1), Optional Port 2 (Opt2)/SK _i (dB)	≤ 10

Isolations

Isolation VHF1/VHF2 (dB)	≥ 20
Isolation UHF1/UHF2 (dB)	≥ 17
Isolation Optional Port 1 (Opt1)/ Optional Port 2 (Opt2) (dB)	≥ 17
Isolation 2m/70cm/UMTS, LTE (dB)	
VHF _i ÷ UHF _j	≥ 25
VHF _i ÷ OPT _j	≥ 25
UHF _i ÷ OPT _j	≥ 17

Return Loss (dB)	
@f ≤ 1.5 GHz	≥ 13
@f > 1.5 GHz	≥ 10

Total power max (W)	100
---------------------	-----

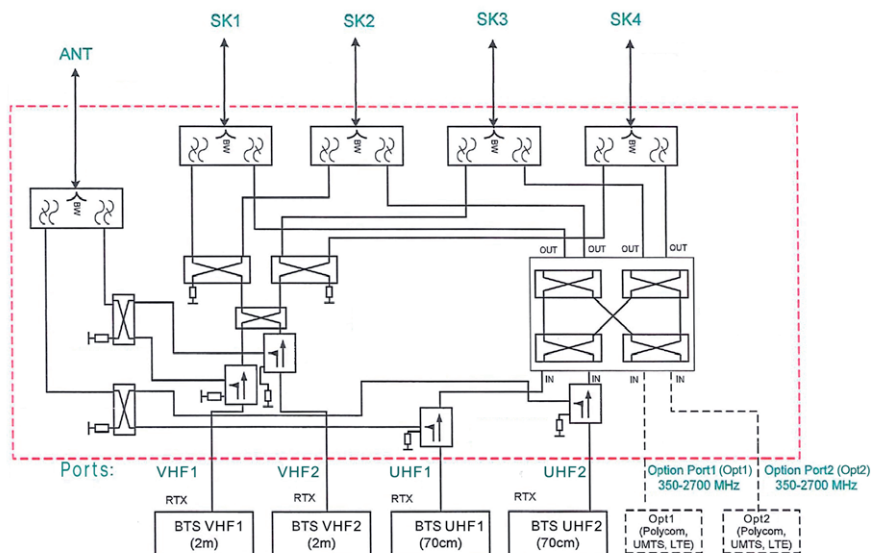
PIM @UHF (5th Order)	min.150dBc @2x37dBm
----------------------	---------------------

PIM @Provider (3th Order)	min.140dBc @2x43dBm (typ.150)
---------------------------	-------------------------------



Mechanical Specifications

Connectors	N f
Dimensions (mm)	4U x 19" x 400
Weight (kg)	22
Panel color	RAL 2002



Made in Italy. We reserve the right to modify these data without any notice.