



5 CHANNELS SELECTIVE COMBINER

75 / 103.3 / 170 / 410 / 460 MHz

T06991899

POLOMARCONI.IT

POLOMARCONI offers a very wide range of wireless products. Our products can be tailored according to the customer's need.

PMR

Electrical Specifications

Frequency Channels (*) and Bandwidth	CH1 f=75 MHz	BW > 2 MHz
	CH2 f=103.3 MHz	BW > 2 MHz
	CH3 f=170 MHz	BW > 5 MHz
	CH4 f=410 MHz	BW > 10 MHz
	CH5 f=460 MHz	BW > 10 MHz
Impedance (Ω)	50	
INPUTS	5	
OUTPUT	1	
Return Loss (dB)	≥ 15	
Max Rated Power (W)	103.3 MHz	500
	75 / 170 / 410 / 460 MHz	25
Insertion Loss (dB)	≤ 2.2	
Isolation (dB) between channels	CHi - CHj	≥ 70
	CH4 - CH5	≥ 45
Operating Temp. Range ($^{\circ}\text{C}$)	$-20 \div +70$	

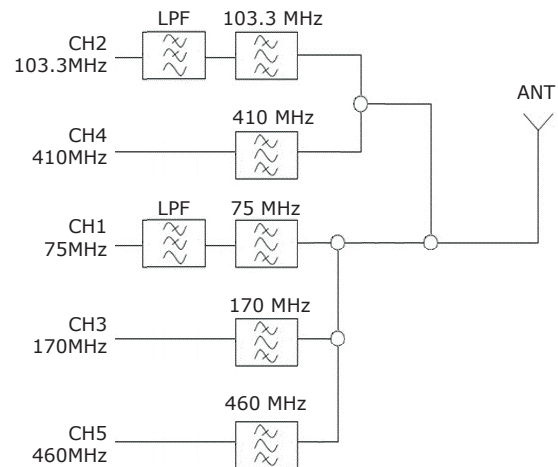
[*] When ordering specify channels frequencies for optimized tuning

Mechanical Specifications

Connectors	Nf
Dimensions	6U x 19" x 500 mm
Weight (kg)	< 26
Color (Frontal Panel)	RAL7035



Electric Schematics



Frontal view

