



# 4 TX CH WITH SINGLE ISOLATORS AND 4 RX CH STAR POINT COMBINERS

155 ÷ 162 MHz, in a single 19" rack mounting

T06990528

POLOMARCONI.IT

POLOMARCONI offers a very wide range of wireless products. Our products can be tailored according to the customer's need.

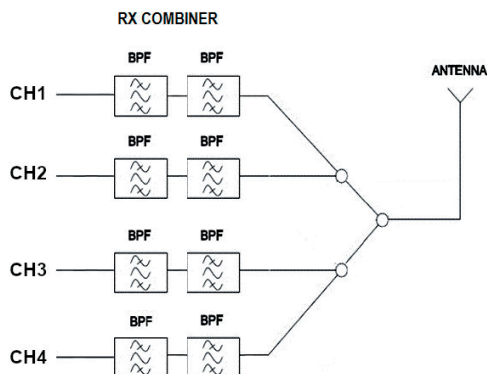
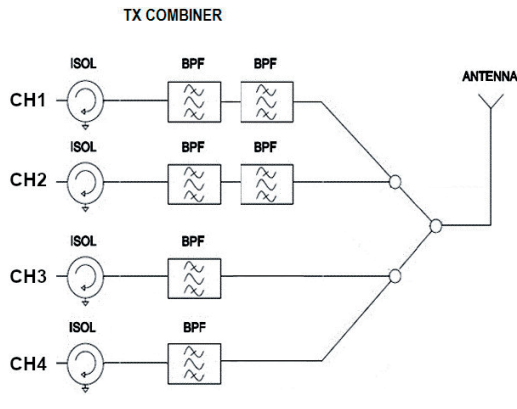
ATC

## Electrical Specifications

Frequency Band (MHz)	155 ÷ 162	
Impedance ( $\Omega$ )	50	
Return Loss (dB)	$\geq 15$	
Continuous Max. Power (W) per channel	100	
Insertion Loss (dB)	TX Combiner	CH 1 $\leq 4$
		CH 2 $\leq 4$
		CH 3 $\leq 3.5$
		CH 4 $\leq 3.5$
Insertion Loss (dB)	RX Combiner	CH 1 $\leq 3.5$
		CH 2 $\leq 3.5$
		CH 3 $\leq 3.5$
		CH 4 $\leq 3.5$
Isolation (dB) between channels with minimum Channels Spacing 125 kHz	TX Combiner	$\geq 30$
	RX Combiner	$\geq 15$
Extended Temp. Range ( $^{\circ}\text{C}$ )	-10 ÷ +55	



## Electric Schematics



## Mechanical Specifications

Connectors	Nf
Dimensions (mm)	35Ux19"x600
Weight (kg)	< 150
Front Panel Color	RAL 9011