



3 CH TX AND 3 CH RX VHF COMBINER 3 HU

152 ÷ 175 MHz, with Double Tuned Isolators

T06990525

POLOMARCONI.IT



POLOMARCONI offers a very wide range of wireless products. Our products can be tailored according to the customer's need.

PMR

Electrical Specifications

[*] Frequency band (MHz)	152 ÷ 175	
Impedance (Ω)	50	
VSWR (all ports)	$\leq 1.5:1$	
[*] Max Tx-Tx Spacing (MHz)	< 1.5	
[*] Max Rx-Rx Spacing (MHz)	< 1.5	
[*] Min Duplex Spacing (MHz)	4	
Max Tx Input Power per Channel (W)	50	
Max Antenna Input Power (dBm)	0	
Tx Insertion Loss (dB)	≤ 7	
Rx Gain (dB)	1 ± 1	
Noise Figure (dB)	LNA System	Typ. < 3.5 Typ. < 6.5
Isolation (dB)	Tx - Tx	Typ. ≥ 100
	Rx - Rx	≥ 20
	ANT - Tx	≥ 70
	Tx-Rx	@Rx-Rx Spacing $< 0.5\text{MHz}$ > 80 @Rx-Rx Spacing $> 0.5\text{MHz}$ > 60
Power Supply (V)	12 ÷ 32	
Current Consumption (mA)	@ 12 V _{DC} < 200	

[*] Please specify TX / RX frequencies when ordering

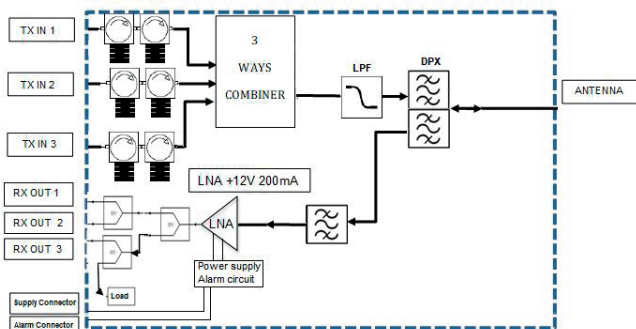
Mechanical Specifications

RF Connectors	Nf
DC Connector	DIN 3 pin male SFV 30
Alarm Connector	D-sub Male 9 pin
Dimensions	3U x 19" x 400mm
Weight (kg)	10
Front Panel Color	RAL 9005

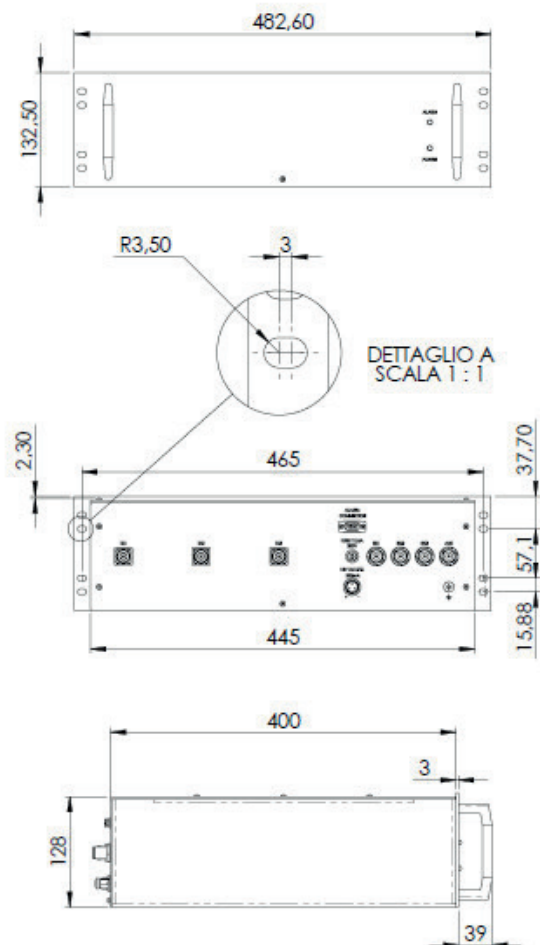
Environmental Specifications

Operating Temp. Range (°C)	0 ÷ +50
Storage Temp. Range (°C)	-40 ÷ +70

Electric Schematics



Dimensions (mm)



BY **TELSA**

Made in Italy. We reserve the right to modify these data without any notice.