



# 4 TX CHANNELS AND 4 RX CHANNELS STAR POINT COMBINERS

155 ÷ 162 MHz, in a single 19" rack mounting

T06990519

POLOMARCONI.IT

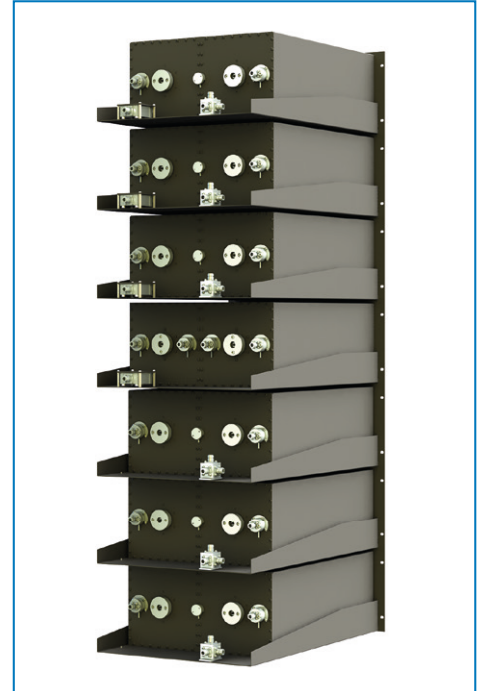


POLOMARCONI offers a very wide range of wireless products. Our products can be tailored according to the customer's need.

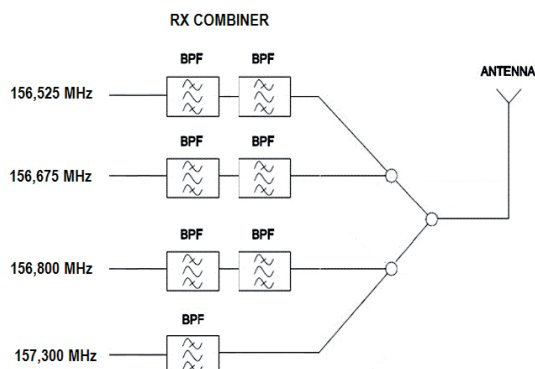
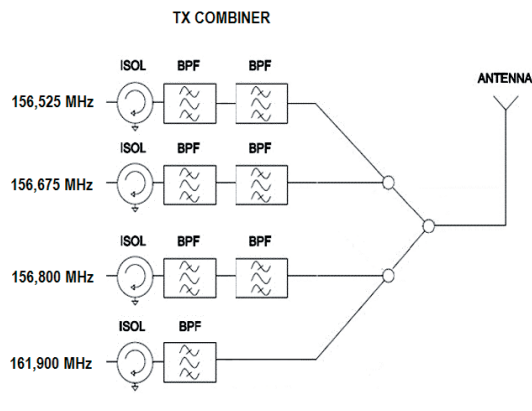
ATC

## Electrical Specifications

Frequency Band (MHz)	155 ÷ 162		
Impedance (Ω)	50		
Return Loss (dB)	≥ 15		
Continuous Max. Power (W) per channel	100		
TX Combiner	CH 1	156.525 MHz	≤ 4
	CH 2	156.675 MHz	≤ 4
	CH 3	156.800 MHz	≤ 4
	CH 4	161.900 MHz	≤ 4
Insertion Loss (dB)	CH 1	156.525 MHz	≤ 3.5
	CH 2	156.675 MHz	≤ 3.5
	CH 3	156.800 MHz	≤ 3.5
	CH 4	157.300 MHz	≤ 3.5
Isolation (dB) between channels with minimum Channels Spacing 125 kHz	TX Combiner	≥ 30	
	RX Combiner	≥ 15	
Extended Temp. Range (°C)	-10 ÷ +55		



## Electric Schematics



## Mechanical Specifications

Connectors	Nf
Dimensions (mm)	35Ux19"x600
Weight (kg)	< 150
Front Panel Color	RAL 9011



Made in Italy. We reserve the right to modify these data without any notice.