



BL2 PASSIVE COUPLING UNIT

4 outputs

T06212527

POLOMARCONI.IT



POLOMARCONI offers a very wide range of wireless products. Our products can be tailored according to the customer's need.

CELLULAR

Electrical Specifications

Filter F1:

Center Frequency	2417 MHz
1 dB bandwidth	17 MHz
3 dB bandwidth	20 MHz

Filter F2:

Center Frequency	2478 MHz
1 dB bandwidth	30 MHz
3 dB bandwidth	33 MHz

Impedance (Ω) 50

Return Loss (dB) into frequency band > 15

Attenuation (dB) between interface 5 and interface 1,2,3,4 (in band) < 11

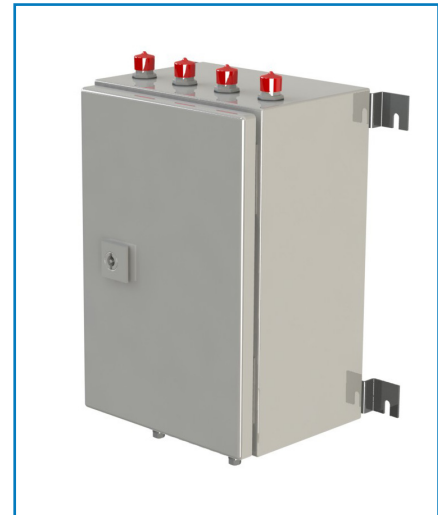
Attenuation (dB) between interface 6 and interface 1,2,3,4 (in band) < 11

Attenuation (dB) between interface 5 and interface 6 (in band) and viceversa > 65

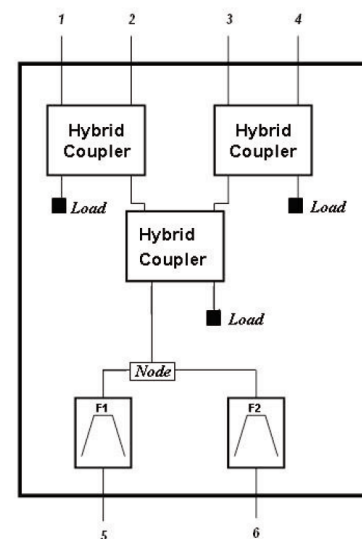
Attenuation (dB) between interfaces: 1-3, 1-4, 2-3, 2-4, 3-4 (in band) and viceversa > 20

Average Power (W) 10

Operating Temp. Range ($^{\circ}\text{C}$) $-40 \div +70$



Electric Schematic



Mechanical Specifications

RF Connectors N f

Dimensions (mm) 260 x 336 x 173.5

Weight (kg) 7

Vibrations PrEN 50125-3 4.13.1 2h/axis

Shocks PrEN 50125-3 4.16.2 3 shocks in all directions / vertical axis

IP protection IP 65



Made in Italy. We reserve the right to modify these data without any notice.