



VHF HIGH SELECTIVITY BAND PASS FILTER DUAL DUPLEXER 164 ÷ 174 MHz

T06210520

POLOMARCONI.IT

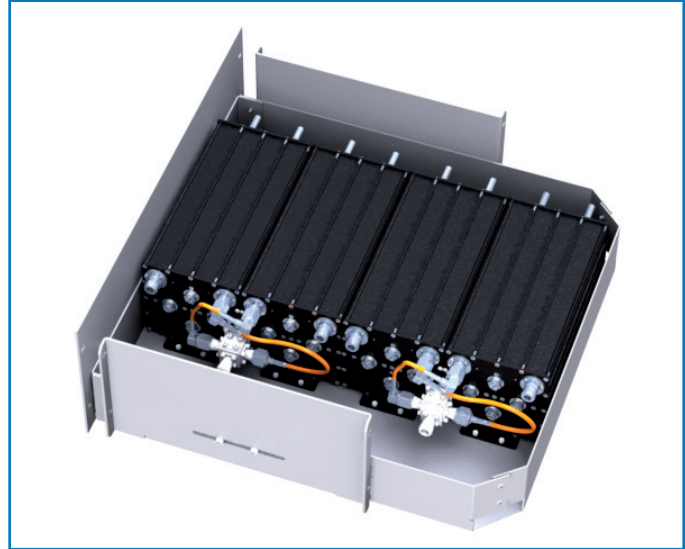


POLOMARCONI offers a very wide range of wireless products. Our products can be tailored according to the customer's need.

PMR

Electrical Specifications

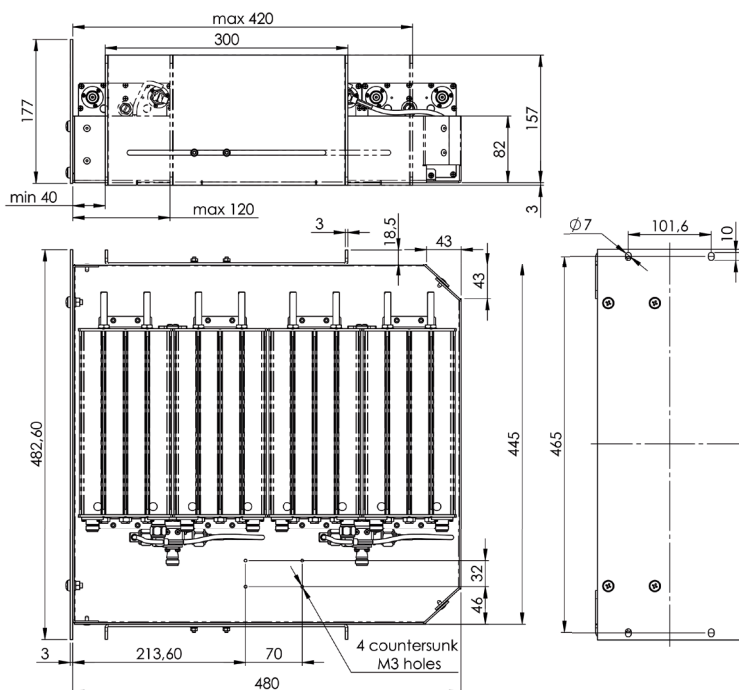
Frequency Band (MHz)	164 ÷ 174
Channel Spacing (MHz)	> 4
Impedance (Ω)	50
VSWR	≤ 1.5:1
Continuous Max. Power (W)	100
TX-RX Insertion Loss (dB)	≤ 1.7
TX-RX Isolation (dB)	≥ 80
Operation Temp. Range (°C)	-20° ÷ +60°



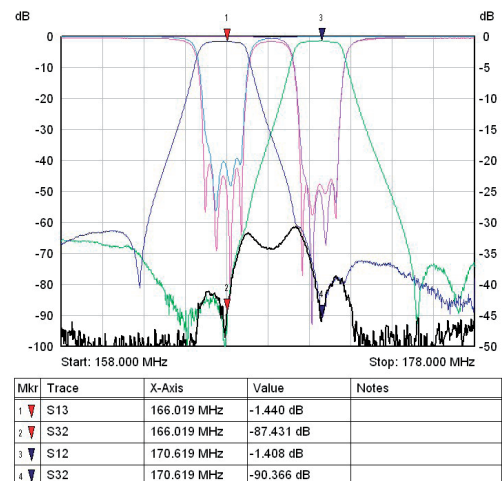
Mechanical Specifications

Connectors	Nf
Dimensions (mm)	4U × 19" × 480
Weight (kg)	< 15
Color	RAL 9011
Material	Aluminium Alloy

Dimensions (mm)



Duplexer Response curves



Made in Italy. We reserve the right to modify these data without any notice.