



8 CH VHF RX SINGLE CAVITY COMBINER

in Manual Double Bridge Configuration

T06200423

POLOMARCONI.IT

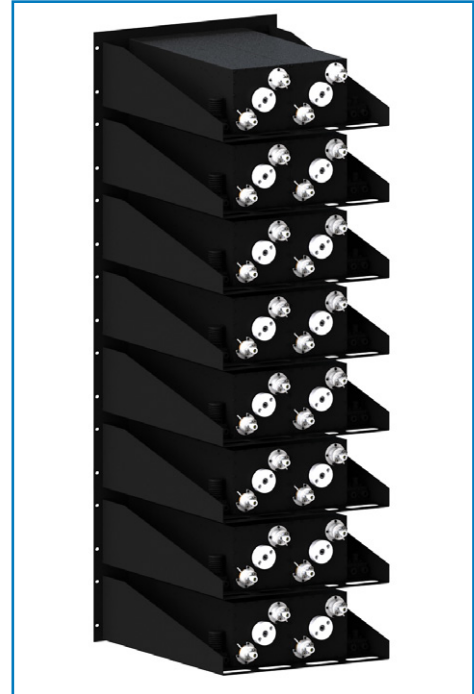


POLOMARCONI offers a very wide range of wireless products. Our products can be tailored according to the customer's need.

ATC

Electrical Specifications

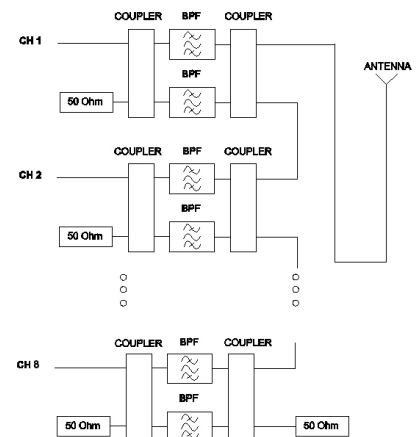
Frequency Band (MHz)	118 ÷ 156
Impedance (Ω)	50
Return Loss (dB)	≥ 15
Continuous Max. Power (W) per input	50
Filter Selectivity (dB) at mid band with I.L. : 1 dB	@ $f_0 \pm 0.5\% f_0$ > 14
	@ $f_0 \pm 1\% f_0$ > 20
	@ $f_0 \pm 2\% f_0$ > 26
I.L. (dB) @ ch. spacing $\pm 0.5\% f_0$	2.9
Isolation (dB) @ ch. spacing $\pm 0.5\% f_0$	34
Isolation (dB) @ ch. spacing $\pm 1\% f_0$	45
Operation Temp. Range ($^{\circ}\text{C}$)	$-10^{\circ} \div +55^{\circ}$
Electrical Safety	IEC 60950-1 EN 60950-1
EMC	ETSI EN 301 489-1 489-22
Operating Environment	ETS 300 019-1-2 ETS 300 019-2-3 Class 3.1E



Mechanical Specifications

Connectors	Nf
Dimensions	32U (1422.4mm) x 19" (482.6mm) x 550mm
Weight (kg)	< 120
Front panel color	RAL 9011

Electric Schematics



Made in Italy. We reserve the right to modify these data without any notice.