



4 CHANNELS UHF RX SINGLE CAVITY COMBINER in Star Point Configuration

T06110601

POLOMARCONI.IT

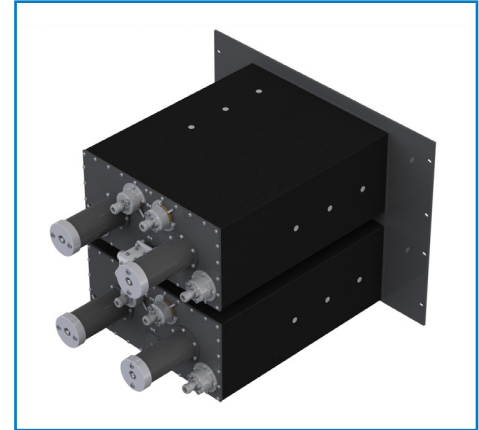


POLOMARCONI offers a very wide range of wireless products.
Our products can be tailored according to the customer's need.

NAVAL

Electrical Specifications

Frequency Band (MHz)	225 ÷ 400	
Impedance (Ω)	50	
Return Loss (dB)	≥ 15	
Filter Selectivity (dB) at mid band with I.L. : 1 dB	@ $f_0 \pm 1\% f_0$	> 21
	@ $f_0 \pm 2\% f_0$	> 27
N° of channels	4	
I.L. (dB) @ ch. spacing: @ $f_0 \pm 1\% f_0$	1.5	
Isolation (dB) @ ch. spacing: @ $f_0 \pm 1\% f_0$	> 22	
Max Continuous Power (W) per channel	100	



Mechanical Specifications

RF Connectors	Nf	
Front Panel Color	RAL 7035	
Dimensions (mm)	8U x 19" x 485	
Weight (kg)	< 19	
Electrical Safety	IEC 60950-1	
	EN 60950-1	
EMC	ETSI EN	301
		489-1
		489-22
Operating Environment	ETS 300 019-1-2	
	ETS 300 019-2-3	
	Class 3.1E	
Extended Temp. Range (°C)	-10 ÷ +55	
Transportation and Handling	ETS 300 019-2-2	
	Class 2.2	

Electric Schematics

