



BAND PASS FILTER

159 ÷ 163 MHz

T05440502

POLOMARCONI.IT

POLOMARCONI offers a very wide range of wireless products. Our products can be tailored according to the customer's need.

TRANSPORT

Electrical Specifications

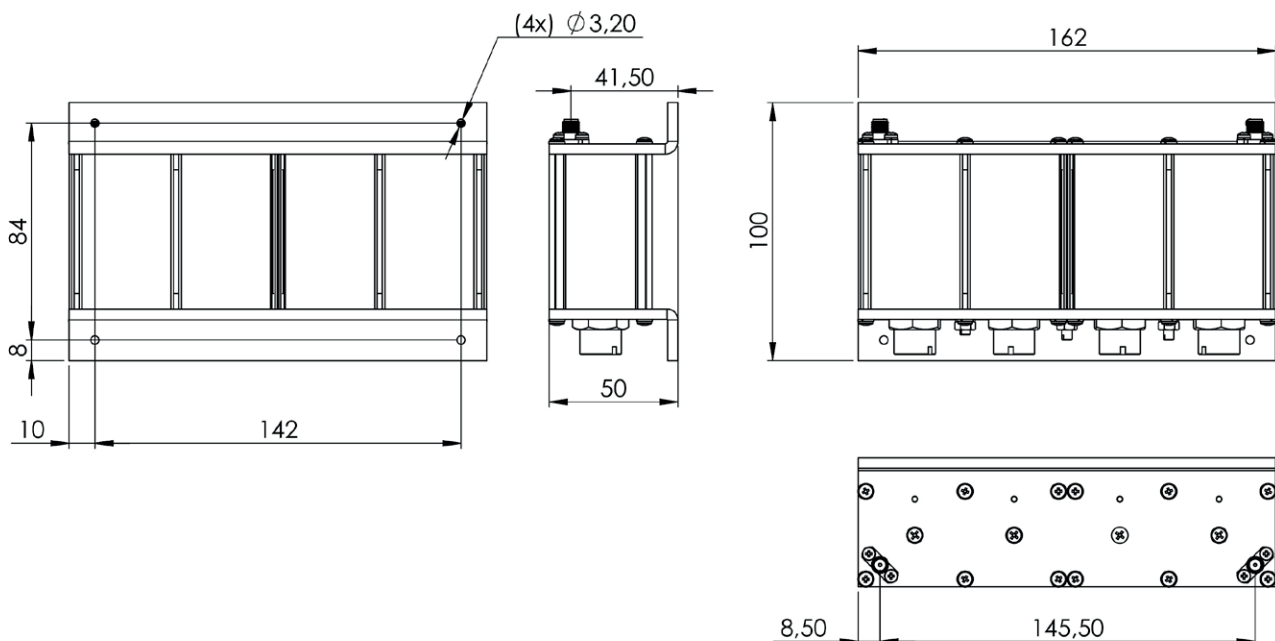
Frequency band (MHz)	159 ÷ 163
Impedance (Ω)	50
Return Loss (dB)	≤ 15
Insertion Loss (dB)	≤ 0.7
Max Continuous Power (W)	50
Attenuation out of band at ≤ 108 MHz	≥ 60
Attenuation out of band from ≥ 216 MHz	≥ 60
Operation Temp. Range ($^{\circ}$ C)	$-10^{\circ} \div +55^{\circ}$



Mechanical Specifications

Connectors	2 x SMA f
Dimensions (WxLxH) (mm)	100x 162 x 50
Weight (kg)	< 1.0
Colour	RAL 9011

Dimensions (mm)



Made in Italy. We reserve the right to modify these data without any notice.