



UHF BAND PASS 6 RESONATORS FILTER

380 ÷ 420 MHz, BANDWIDTH 8 MHz

T05160701

POLOMARCONI.IT



POLOMARCONI offers a very wide range of wireless products. Our products can be tailored according to the customer's need.

PMR

Electrical Specifications

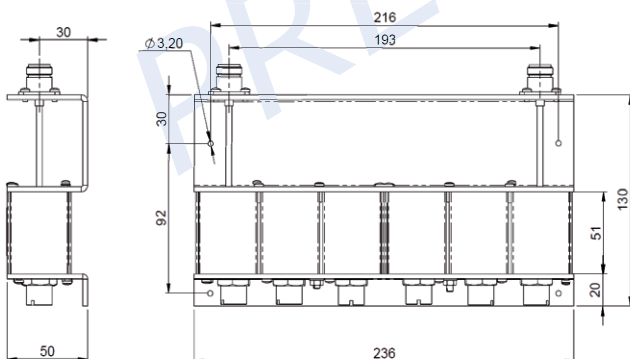
Frequency f_0 (MHz)	380 ÷ 420
Impedance (Ω)	50
VSWR	< 1.5
Continuous Max. Power (W)	50
Insertion Loss (dB) @ f_0	< 1.5
Bandwidth (MHz) @ -1 dB	> 8
Attenuation (dB) out of band	see curves
Operation Temp. Range ($^{\circ}\text{C}$)	-20 $^{\circ}$ ÷ +60 $^{\circ}$



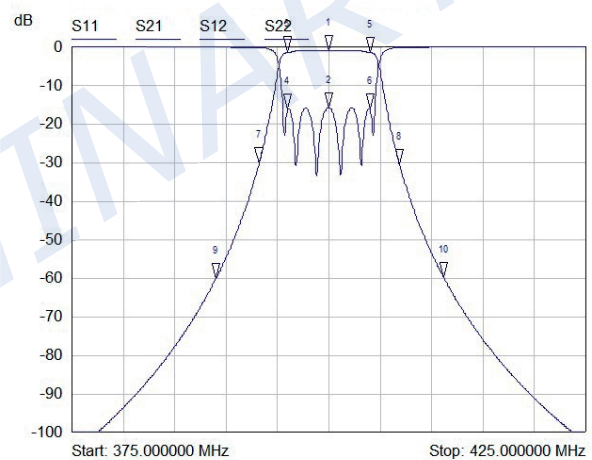
Mechanical Specifications

Connectors	Nf
Dimensions (mm) (without connectors)	130 x 236 x 50
Weight (kg)	< 0.4

Dimensions (mm)



Filter response curves



Mkr	Trace	X-Axis	Value	Notes
1	S21	400.025000 MHz	-0.95 dB	
2	S11	400.025000 MHz	-15.76 dB	
3	S21	396.021000 MHz	-1.42 dB	
4	S11	396.021000 MHz	-16.12 dB	
5	S21	403.979000 MHz	-1.42 dB	
6	S11	403.979000 MHz	-16.18 dB	
7	S21	393.218000 MHz	-30.18 dB	
8	S21	406.882000 MHz	-30.56 dB	
9	S21	389.014000 MHz	-60.12 dB	
10	S21	411.186000 MHz	-59.89 dB	