



UHF BAND PASS 4 RESONATORS FILTER

440 ÷ 470 MHz, BANDWIDTH 8 MHz

T05140705

POLOMARCONI.IT



POLOMARCONI offers a very wide range of wireless products. Our products can be tailored according to the customer's need.

PMR

Electrical Specifications

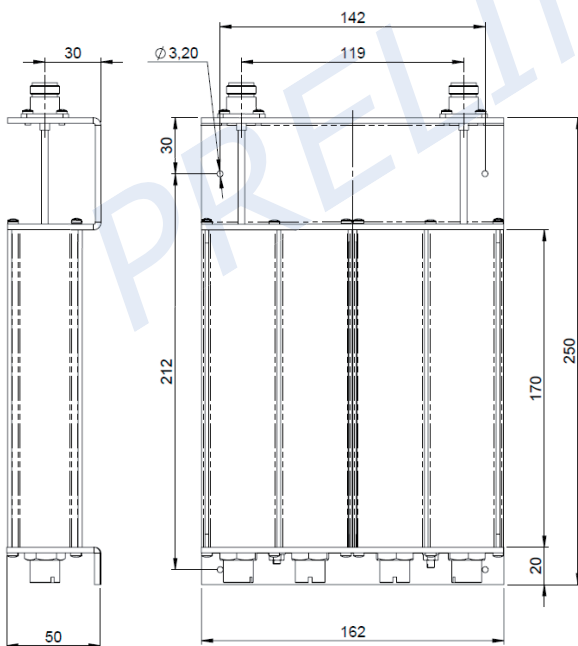
Frequency f_0 (MHz)	440 ÷ 470
Impedance (Ω)	50
VSWR	< 1.5
Continuous Max. Power (W)	50
Insertion Loss (dB) @ f_0	< 1
Bandwidth (MHz) @ -1 dB	> 8
Attenuation (dB) out of band	see curves
Operation Temp. Range ($^{\circ}\text{C}$)	-20° ÷ +60°



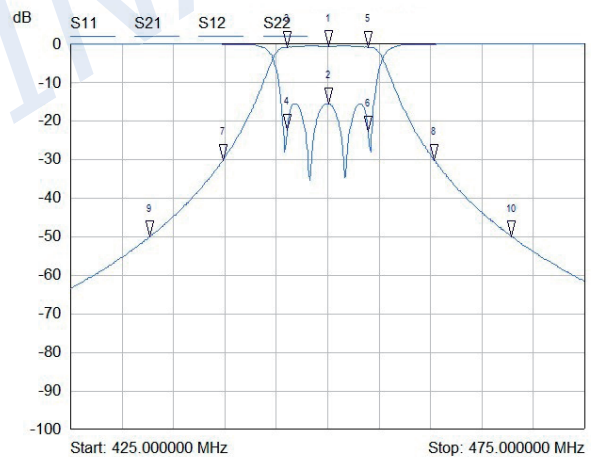
Mechanical Specifications

Connectors	Nf
Dimensions (mm) (without connectors)	250 x 162 x 50
Weight (kg)	< 0.8

Dimensions (mm)



Filter response curves



Mkr	Trace	X-Axis	Value	Notes
1	S21	450.050000 MHz	-0.64 dB	
2	S11	450.050000 MHz	-15.48 dB	
3	S21	446.042000 MHz	-0.76 dB	
4	S11	446.042000 MHz	-22.36 dB	
5	S21	453.958000 MHz	-0.76 dB	
6	S11	453.958000 MHz	-22.69 dB	
7	S21	439.830000 MHz	-30.12 dB	
8	S21	460.371000 MHz	-30.20 dB	
9	S21	432.715000 MHz	-50.01 dB	
10	S21	467.886000 MHz	-49.99 dB	



Made in Italy. We reserve the right to modify these data without any notice.