



UHF BAND PASS 4 RESONATORS FILTER

380 ÷ 420 MHz, BANDWIDTH 8 MHz

T05140704

POLOMARCONI.IT



POLOMARCONI offers a very wide range of wireless products. Our products can be tailored according to the customer's need.

PMR

Electrical Specifications

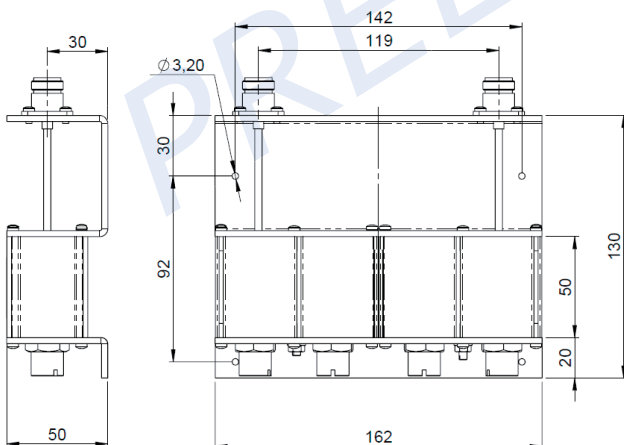
Frequency f_0 (MHz)	380 ÷ 420
Impedance (Ω)	50
VSWR	< 1.5
Continuous Max. Power (W)	50
Insertion Loss (dB) @ f_0	< 1
Bandwidth (MHz) @ -1 dB	> 8
Attenuation (dB) out of band	see curves
Operation Temp. Range ($^{\circ}\text{C}$)	-20° ÷ +60°



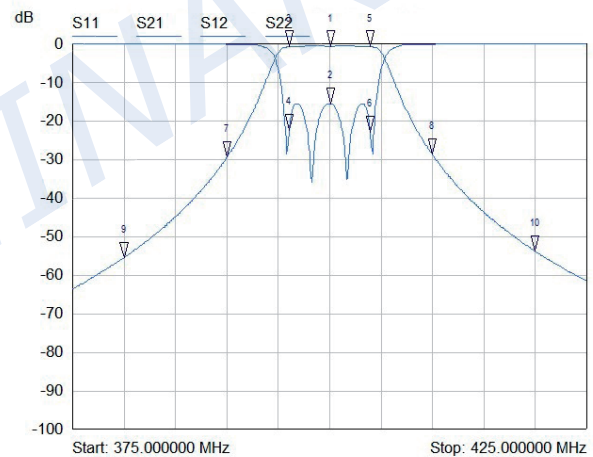
Mechanical Specifications

Connectors	Nf
Dimensions (mm) (without connectors)	130 x 162 x 50
Weight (kg)	< 0.3

Dimensions (mm)



Filter response curves



Mkr	Trace	X-Axis	Value	Notes
1	S21	400.050000 MHz	-0.60 dB	
2	S11	400.050000 MHz	-15.45 dB	
3	S21	396.042000 MHz	-0.71 dB	
4	S11	396.042000 MHz	-22.41 dB	
5	S21	403.958000 MHz	-0.71 dB	
6	S11	403.958000 MHz	-22.79 dB	
7	S21	390.030000 MHz	-29.38 dB	
8	S21	409.970000 MHz	-28.65 dB	
9	S21	380.010000 MHz	-55.42 dB	
10	S21	419.990000 MHz	-53.80 dB	