



VHF BAND PASS 4 RESONATORS FILTER

144 ÷ 175 MHz, BANDWIDTH 4 MHz

T05140407

POLOMARCONI.IT



POLOMARCONI offers a very wide range of wireless products. Our products can be tailored according to the customer's need.

PMR

Electrical Specifications

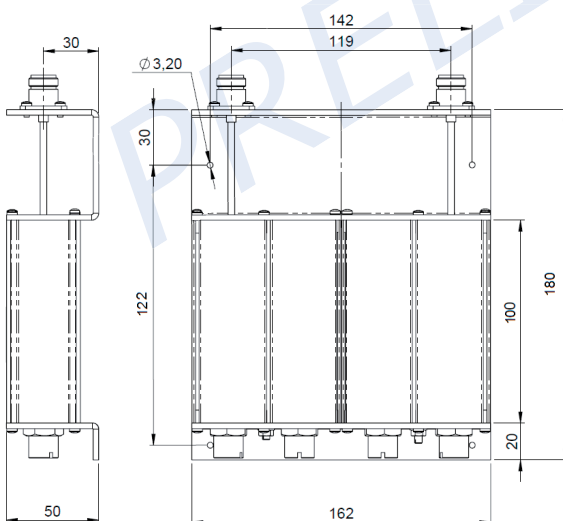
Frequency f_0 (MHz)	144 ÷ 175
Impedance (Ω)	50
VSWR	< 1.5
Continuous Max. Power (W)	50
Insertion Loss (dB) @ f_0	< 1
Bandwidth (MHz) @ -1 dB	> 4
Attenuation (dB) out of band	see curves
Operation Temp. Range ($^{\circ}\text{C}$)	-20° ÷ +60°



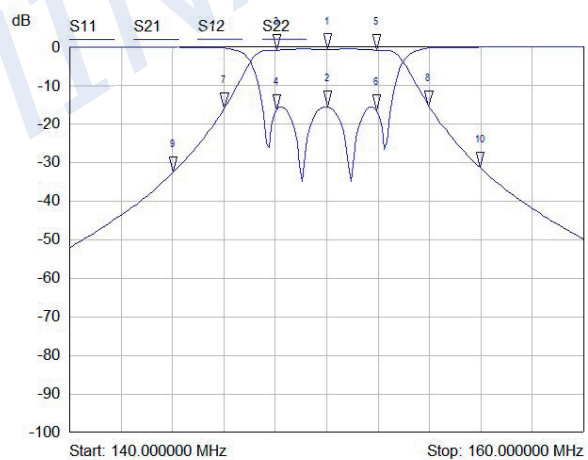
Mechanical Specifications

Connectors	Nf
Dimensions (mm) (without connectors)	180 x 162 x 50
Weight (kg)	< 0.6

Dimensions (mm)



Filter response curves



Mkr	Trace	X-Axis	Value	Notes
1	S21	150.050000 MHz	-0.64 dB	
2	S11	150.050000 MHz	-15.52 dB	
3	S21	148.040000 MHz	-0.76 dB	
4	S11	148.040000 MHz	-16.36 dB	
5	S21	151.960000 MHz	-0.76 dB	
6	S11	151.960000 MHz	-16.54 dB	
7	S21	146.030000 MHz	-15.89 dB	
8	S21	153.970000 MHz	-15.26 dB	
9	S21	144.020000 MHz	-32.57 dB	
10	S21	155.980000 MHz	-31.38 dB	



Made in Italy. We reserve the right to modify these data without any notice.