



VHF BAND PASS 4 RESONATORS FILTER

66 ÷ 88 MHz, BANDWIDTH 4 MHz

T05140206

POLOMARCONI.IT



POLOMARCONI offers a very wide range of wireless products. Our products can be tailored according to the customer's need.

PMR

Electrical Specifications

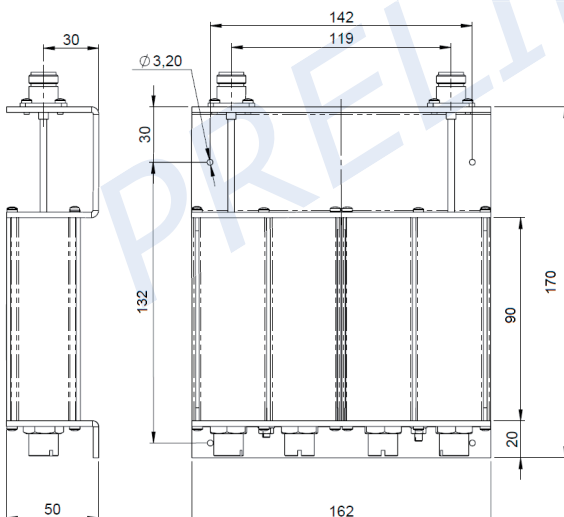
Frequency f_0 (MHz)	66 ÷ 88
Bandwidth (MHz) @ -1 dB	> 4
Impedance (Ω)	50
VSWR	< 1
Continuous Max. Power (W)	50
Insertion Loss (dB) @ f_0	< 1
Attenuation (dB) out of band	see curves
Operation Temp. Range ($^{\circ}\text{C}$)	- 20° ÷ +60°



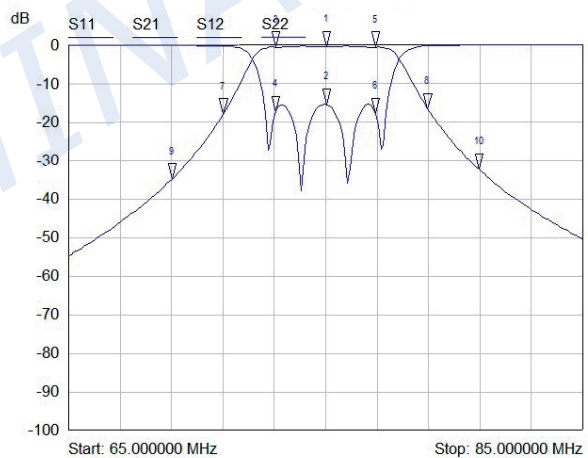
Mechanical Specifications

Connectors	Nf
Dimensions (mm) (without connectors)	170 x 162 x 50
Weight (kg)	< 0.5

Dimensions (mm)



Filter response curves



Mkr	Trace	X-Axis	Value	Notes
1	S21	75.050000 MHz	-0.51 dB	
2	S11	75.050000 MHz	-15.45 dB	
3	S21	73.040000 MHz	-0.59 dB	
4	S11	73.040000 MHz	-17.26 dB	
5	S21	76.960000 MHz	-0.59 dB	
6	S11	76.960000 MHz	-17.79 dB	
7	S21	71.030000 MHz	-17.92 dB	
8	S21	78.970000 MHz	-16.59 dB	
9	S21	69.020000 MHz	-34.77 dB	
10	S21	80.980000 MHz	-32.35 dB	