



# VHF BAND PASS HIGH SELECTIVITY FILTER

70 ÷ 80 MHz, BANDWIDTH 2 MHz

T05140204

POLOMARCONI.IT



POLOMARCONI offers a very wide range of wireless products. Our products can be tailored according to the customer's need.

PMR

## Electrical Specifications

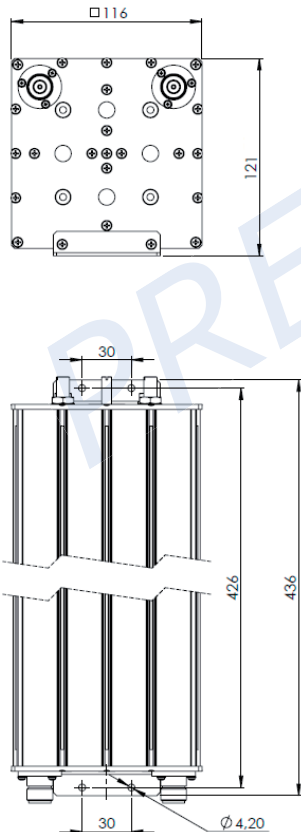
Frequency $f_0$ (MHz)	70 ÷ 80
Impedance ( $\Omega$ )	50
VSWR	< 1.5
Continuous Max. Power (W)	50
Insertion Loss (dB) @ $f_0$	< 1
Bandwidth (MHz) @ -1 dB	> 2
Attenuation (dB) out of band	see curves
Operation Temp. Range ( $^{\circ}\text{C}$ )	-20° ÷ +60°

## Mechanical Specifications

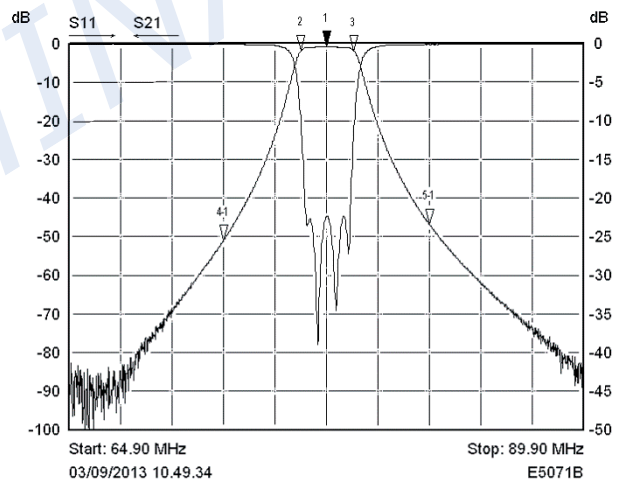
Connectors	Nf
Dimensions (mm)	436 x 116 x 121
Weight (kg)	< 3.3



## Dimensions (mm)



Filter response curves



Mkr	Trace	X-Axis	Value	Notes
1	S21	77.40 MHz	-0.88 dB	
2	S21	76.16 MHz	-1.88 dB	
3	S21	78.72 MHz	-1.88 dB	
4	S21	-5.00 MHz	-50.04 dB	
5	S21	5.00 MHz	-46.00 dB	



Made in Italy. We reserve the right to modify these data without any notice.