



UHF BAND PASS DOUBLE CAVITY FILTER

with Adjustable Loops, 380 ÷ 470 MHz, 108 mm Section

T05121402

POLOMARCONI.IT

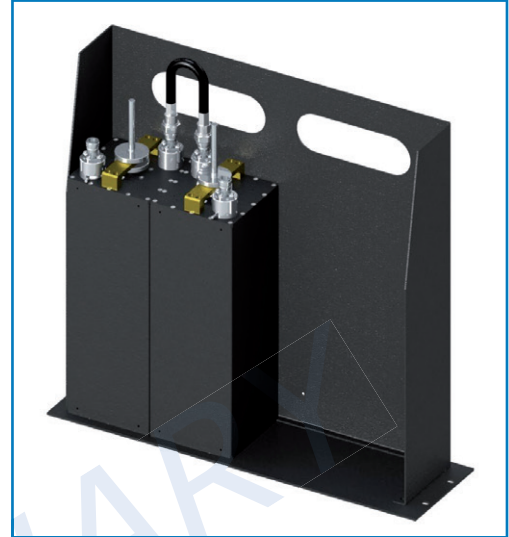


POLOMARCONI offers a very wide range of wireless products.
Our products can be tailored according to the customer's need.

PMR

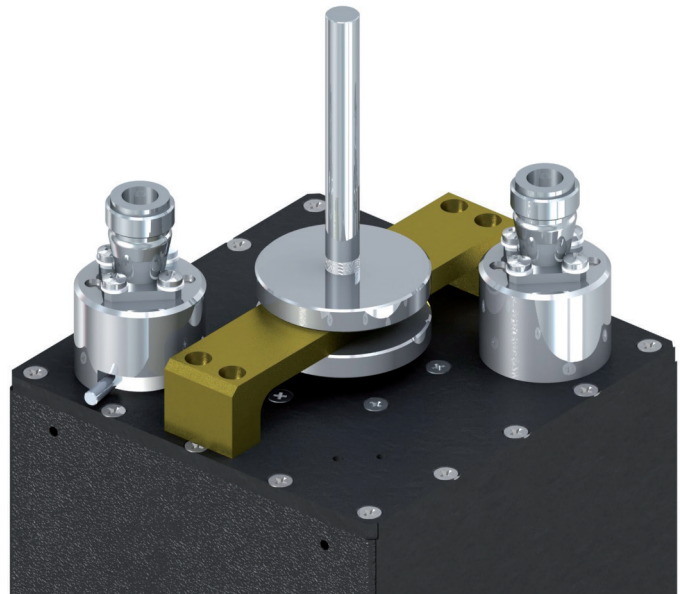
Electrical Specifications

Frequency Band (MHz)	380 ÷ 470
Impedance (Ω)	50
Return Loss (dB)	≥ 15
Continuous Max. Power (W)	< 200
Insertion Loss (dB) with adjustable loops	see curves double cavity
Selectivity with (dB) with adjustable loops	see curves double cavity
Operation Temp. Range ($^{\circ}\text{C}$)	$-10^{\circ} \div +55^{\circ}$
Electrical Safety	IEC 60950-1 EN 60950-1
EMC	ETSI EN 301 489-1 489-22
Operating Environment	ETS 300 019-1-2 ETS 300 019-2-3 Class 3.1E



Mechanical Specifications

Connectors	Nf
Dimensions	3Ux19"x450mm
Weight (kg)	< 9
Material	Aluminium Alloy
Color	RAL 9011



DETAILS: ADJUSTABLE LOOPS



UHF BAND PASS DOUBLE CAVITY FILTER

with Adjustable Loops, 380 ÷ 470 MHz, 108 mm Section

T05121402

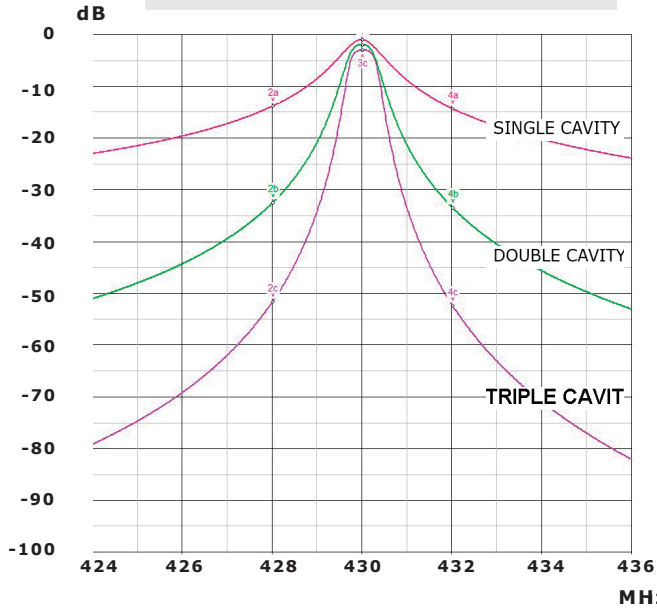
POLOMARCONI.IT



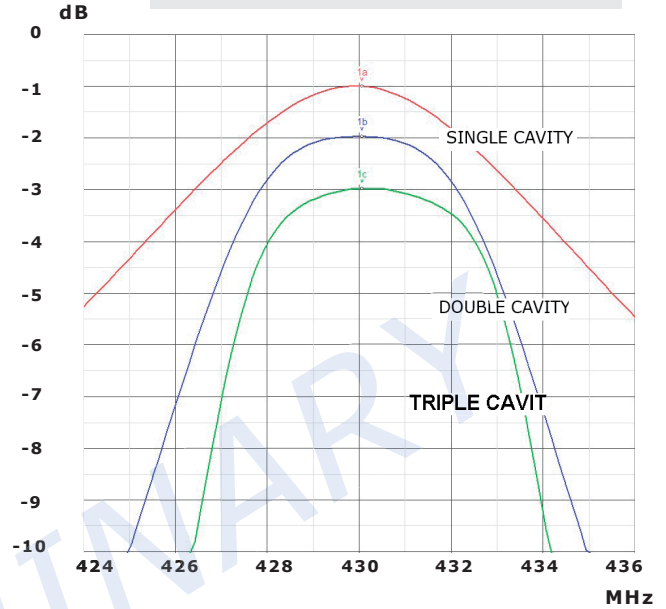
POLOMARCONI offers a very wide range of wireless products. Our products can be tailored according to the customer's need.

PMR

Attenuation Curves



Insertion Loss Curves



Dimensions (mm)

