



# VHF BAND PASS DOUBLE CAVITY FILTER

with Adjustable Loops, 66 ÷ 88 MHz, 108 mm Section

T05120207

POLOMARCONI.IT



POLOMARCONI offers a very wide range of wireless products.  
Our products can be tailored according to the customer's need.

PMR

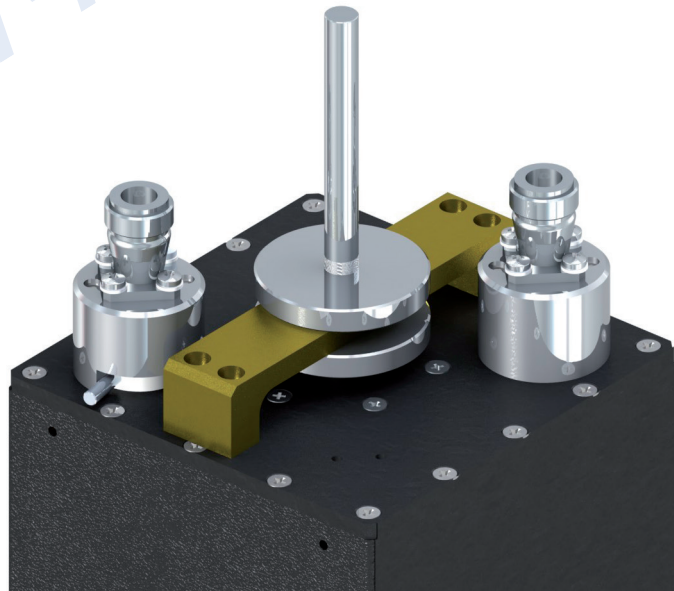
## Electrical Specifications

Frequency Band (MHz)	66 ÷ 88
Impedance ( $\Omega$ )	50
Return Loss (dB)	$\geq 15$
Continuous Max. Power (W)	$< 200$
Insertion Loss (dB) with adjustable loops	see curves double cavity
Selectivity with (dB) with adjustable loops	see curves double cavity
Operation Temp. Range ( $^{\circ}\text{C}$ )	$-10^{\circ} \div +55^{\circ}$
Electrical Safety	IEC 60950-1 EN 60950-1
EMC	ETSI EN 301 489-1 489-22
Operating Environment	ETS 300 019-1-2 ETS 300 019-2-3 Class 3.1E



## Mechanical Specifications

Connectors	Nf
Dimensions (mm)	108x216x1200
Weight (kg)	$< 23$
Material	Aluminium Alloy
Color	RAL 9011



DETAILS: ADJUSTABLE LOOPS



# VHF BAND PASS DOUBLE CAVITY FILTER

with Adjustable Loops, 66 ÷ 88 MHz, 108 mm Section

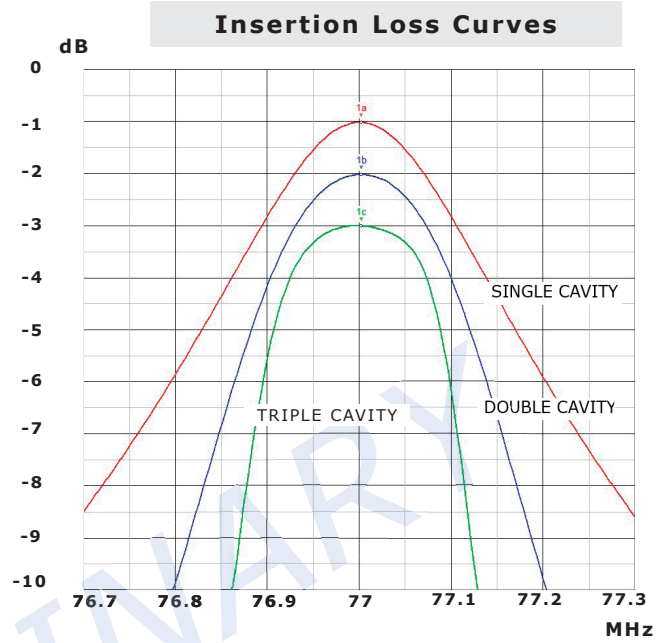
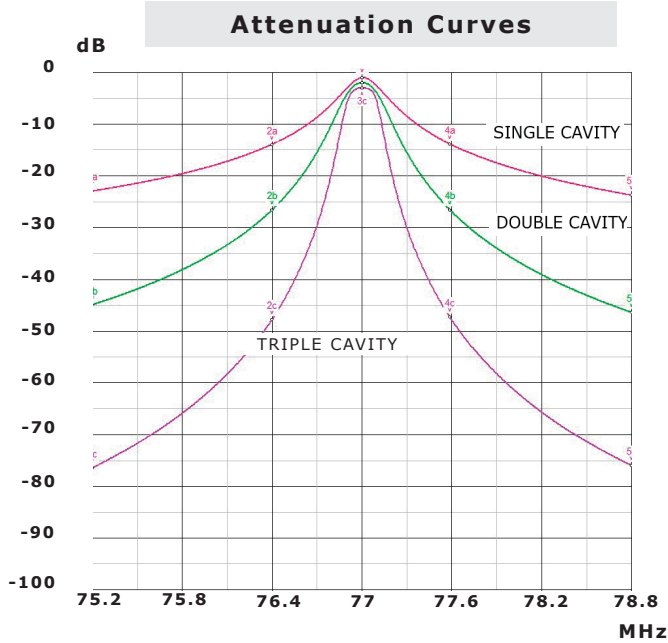
T05120207

POLOMARCONI.IT



POLOMARCONI offers a very wide range of wireless products. Our products can be tailored according to the customer's need.

PMR



### Dimensions (mm)

