



# UHF NOTCH DOUBLE CAVITY FILTER

380 ÷ 470 MHz, 150 mm Section

T05020701

POLOMARCONI.IT

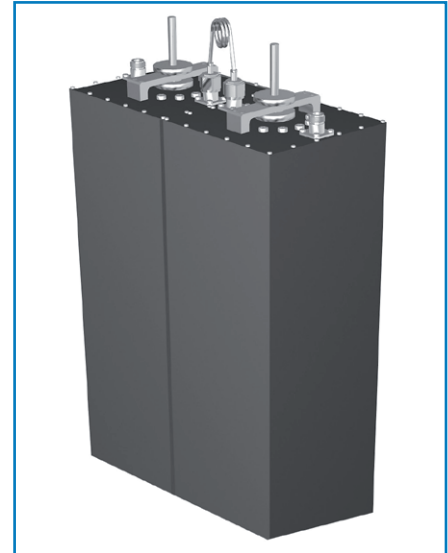


POLOMARCONI offers a very wide range of wireless products.  
Our products can be tailored according to the customer's need.

PMR

## Electrical Specifications

Frequency Band (MHz)	380 ÷ 470
Impedance ( $\Omega$ )	50
Return Loss (dB)	$\geq 15$
Continuous Max. Power (W)	$< 200$
Rejection (dB) @ $f_0 \pm 1\text{MHz}$	$> 40$
Insertion Loss (dB)	$< 1$
Operation Temp. Range ( $^{\circ}\text{C}$ )	$-10^{\circ} \div +55^{\circ}$
Electrical Safety	IEC 60950-1 EN 60950-1
EMC	ETSI EN 301 489-1 489-22
Operating Environment	ETS 300 019-1-2 ETS 300 019-2-3 Class 3.1E



## Mechanical Specifications

Connectors	Nf
Dimensions (mm)	300×150×350
Weight (kg)	$< 8$
Color	RAL 9011
Material	Aluminium Alloy
Material Finishing	Silver plating