



UHF DIRECTIVE PANEL ANTENNA

225 ÷ 400 MHz, Single Polarization, 10 dBi

T01240605

POLOMARCONI.IT

POLOMARCONI offers a very wide range of wireless products. Our products can be tailored according to the customer's need.

ATC

Electrical Specifications

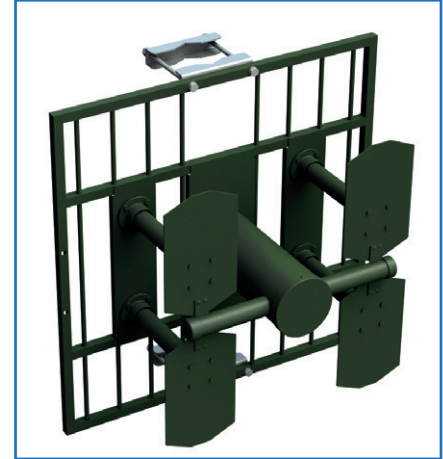
Frequency band (MHz)	225 ÷ 400
Impedance (Ω)	50
Continuous Max. Power (W)	> 200
VSWR	1.5:1
Polarization	linear: vertical or horizontal
Gain (dBi) typ.	10
HPBW ($^{\circ}$) - H-plane	62 \pm 3
HPBW ($^{\circ}$) - E-plane	61 \pm 4
Lightning Protection	DC Grounded

Mechanical Specifications

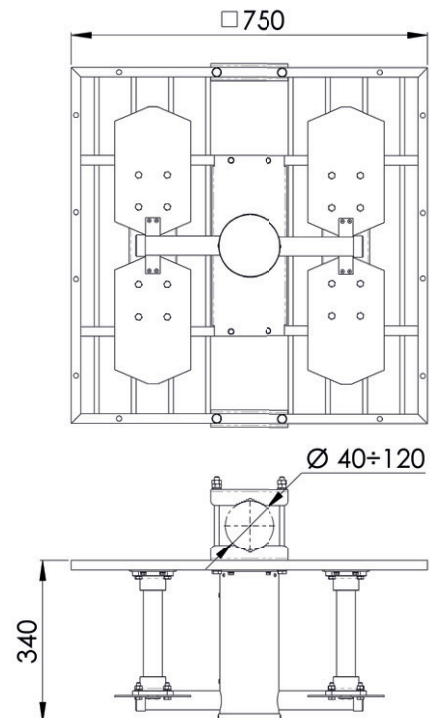
Connector	Nf
Dimensions (mm)	750 x 750 x 340
Weight (kg)	< 16
Wind Load @ 150 Km/h (N)	Front 450 Side 100
Colour	RAL 6014 (olive green)
Material	Aluminum
Mounting	on pole \varnothing 40÷120 mm
Operating Temp. Range ($^{\circ}$ C)	-40 ÷ +70

Enviromental Specifications

Humidity	EIC 68-2-30 test Db
Vibration	IEC 68-2-6 test Fc proc.A
Salt Spray	IEC 68-2-11 test Ka
Rain	MIL STD 810F method 506.1 proc.II



Dimensions (mm)



Made in Italy. We reserve the right to modify these data without any notice.