



VHF DIRECTIVE PANEL ANTENNA

108 ÷ 174 MHz, Single Polarization, 8 dBi

T01220403

POLOMARCONI.IT

POLOMARCONI offers a very wide range of wireless products. Our products can be tailored according to the customer's need.

ATC

Electrical Specifications

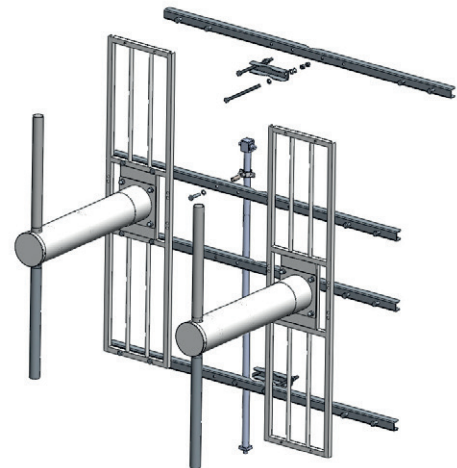
Frequency band (MHz)	108 ÷ 174	
Impedance (Ω)	50	
VSWR	108 ÷ 117 MHz	$\leq 2.0:1$
	117 ÷ 144 MHz	$\leq 1.5:1$
	144 ÷ 174 MHz	$\leq 2.0:2$
Continuous Max Power (W)	500	
Polarization	linear: vertical	
Gain (dBi) typ.	8	
HPBW ($^\circ$) - H-plane	65 \pm 5	
HPBW ($^\circ$) - E-plane	75 \pm 5	
Lightning Protection	DC grounded	



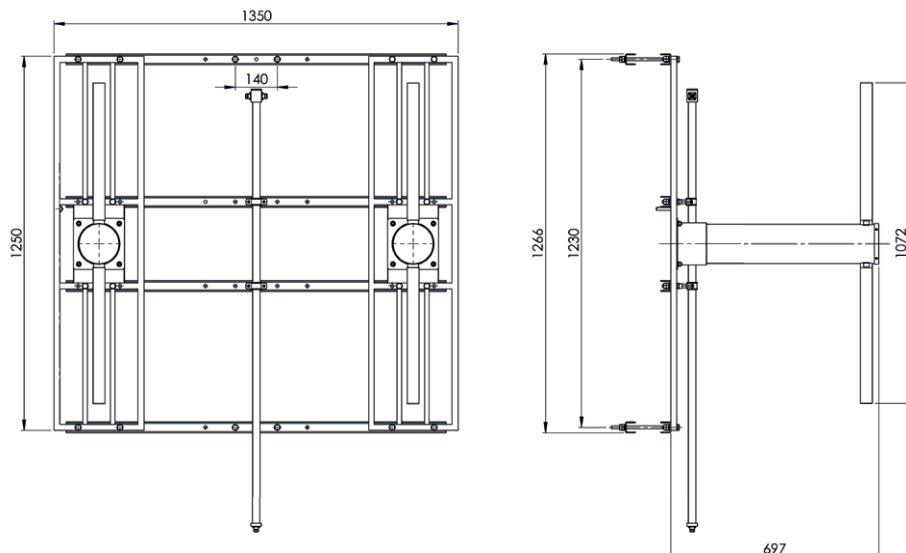
Mechanical Specifications

Connector	Nf	
Dimensions (mm)	1350 x 1266 x 697	
Weight (kg)	< 45	
Wind Load (N) @ 150 km/h	Front	372
	Lateral	74
Material	Hot dip galvanized steel	
Colour	RAL 7035	
Mounting on pole	$\varnothing 40 \div 120$ mm	
Operating Temp. Range ($^\circ\text{C}$)	-40 ÷ +70	

Mounting



Dimensions (mm)



Made in Italy. We reserve the right to modify these data without any notice.