



VHF DIRECTIVE PANEL ANTENNA

117 ÷ 144 MHz, Single Polarization, 5 dBi

T01210403

POLOMARCONI.IT

POLOMARCONI offers a very wide range of wireless products. Our products can be tailored according to the customer's need.

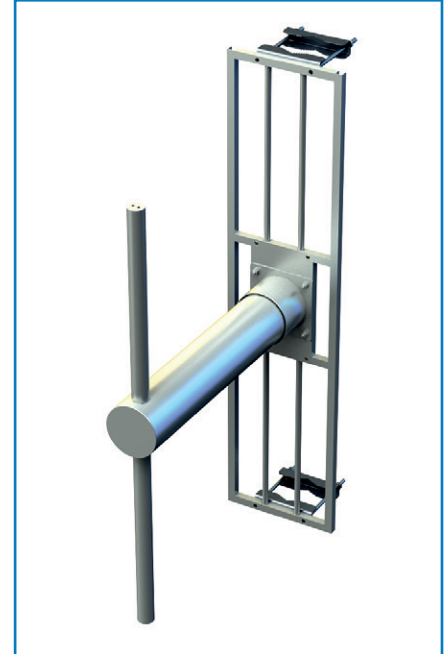
ATC

Electrical Specifications

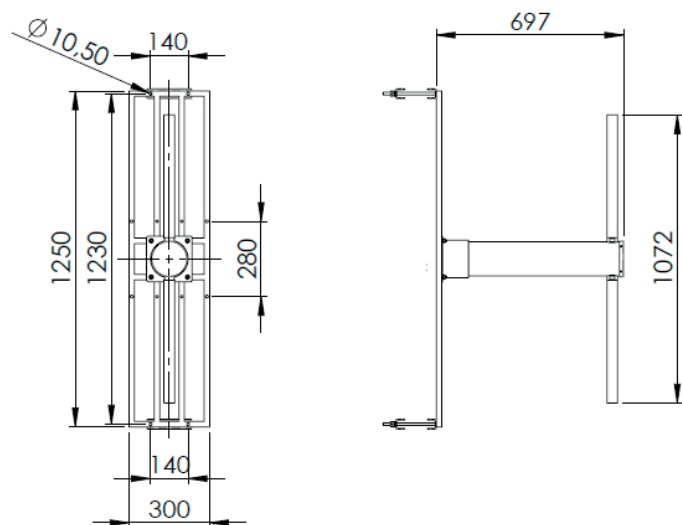
Frequency band (MHz)	117 ÷ 144
Impedance (Ω)	50
VSWR	< 2:1
Continuous Max. Power (W)	500
Polarization	linear: vertical
Gain (dBi) typ.	5
HPBW ($^\circ$) - H-plane	159 \pm 20
HPBW ($^\circ$) - E-plane	75 \pm 3
Lightning Protection	DC grounded

Mechanical Specifications

Connector	Nf	
Dimensions (mm)	1250 x 300 x 697	
Weight (kg)	15	
Wind Load (N) @ 150 km/h	Front	190
	Lateral	75
Colour	RAL 7035	
Mounting	on pole \varnothing 40 ÷ 120 mm	
Operating Temp. Range ($^\circ$ C)	-40 ÷ +70	



Dimensions (mm)



Made in Italy. We reserve the right to modify these data without any notice.