



EXTERNAL DIRECTIONAL WIDE BAND PANEL ANTENNA

790 ÷ 960 MHz / 1710 ÷ 2170 MHz / 2500 ÷ 2700 MHz

T01201805

POLOMARCONI.IT



POLOMARCONI offers a very wide range of wireless products.
Our products can be tailored according to the customer's need.

M2M

Electrical Specifications

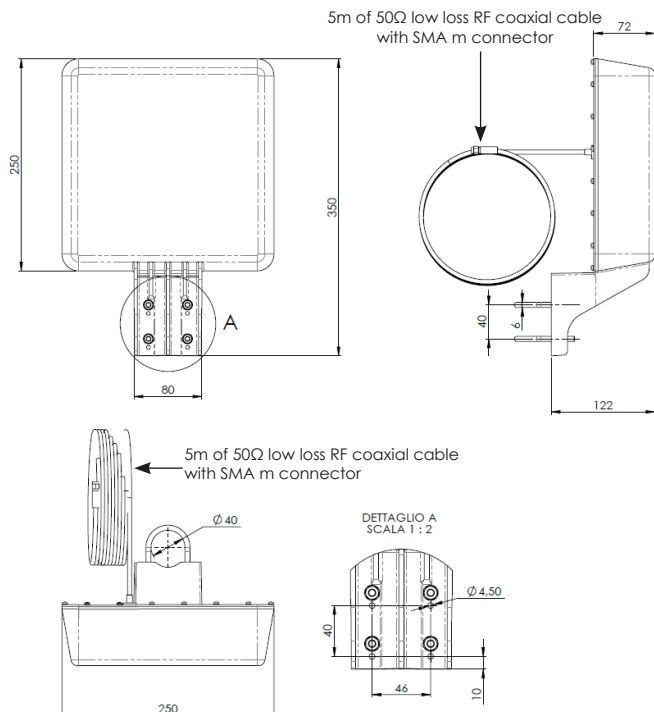
Frequency Bands (MHz)	790 ÷ 960 1710 ÷ 2170 2500 ÷ 2700
Impedance (Ω)	50
VSWR	≤ 2.0:1
Continuous Max. RF Power (W)	10
Polarization	linear vertical
Gain (dBi) with 5m of cable losses	≥ 3
HPBW (°)	≤ 30
Operation Temp. Range (°C)	-25 ÷ +55
Storage Temp. Range (°C)	-45 ÷ +60



Mechanical Specifications

Connector	5m of 50Ω low loss RF coaxial cable with SMA m connector
Dimensions (height x width x depth, mm)	350 x 250 x 122
Weight (kg)	1.2
Color	white
Mounting	on a master tube with Ø30÷40mm OR on a wall
IP Protection	54

Dimensions (mm)



BY



Made in Italy. We reserve the right to modify these data without any notice.