



UHF OMNI MULTIPLE ANTENNA

225 ÷ 400 MHz, 5 dipoles

T01150601

POLOMARCONI.IT

POLOMARCONI offers a very wide range of wireless products. Our products can be tailored according to the customer's need.

ATC

Electrical Specifications

Frequency Band (MHz)	225 ÷ 400
Impedance (Ω)	50
VSWR	≤ 2
Polarization	linear vertical
Gain (dBi)	2
HPBW ($^\circ$) - E-plane	80 ± 5
HPBW ($^\circ$) - H-plane	omni ± 1 dB
Isolation (dB) between inputs	≥ 27
Continuous Max Power (W)	200
Lightning Protection	DC grounded

Mechanical Specifications

Connector	5 Nf
Dimensions (mm)	
Length	6288
Radome diameter	$\varnothing 110 \div 207$
Colour	RAL 7035 (grey)
Weight (kg)	100
Wind load @ 150 km/h (N)	1428
Radome	fiberglass
Mounting	flange $\varnothing 434$ mm
Operating Temp. Range ($^\circ\text{C}$)	$-40 \div +70$
Storage Temp. Range ($^\circ\text{C}$)	$-50 \div +80$

DESCRIPTION:

Special collinear antennas suitable for hard environmental site.

This antenna has been designed to withstand at the extreme ambiental conditions: ice, wind and temperature with internal removable de-icing system on request.

This system can be removed for maintenance on site.

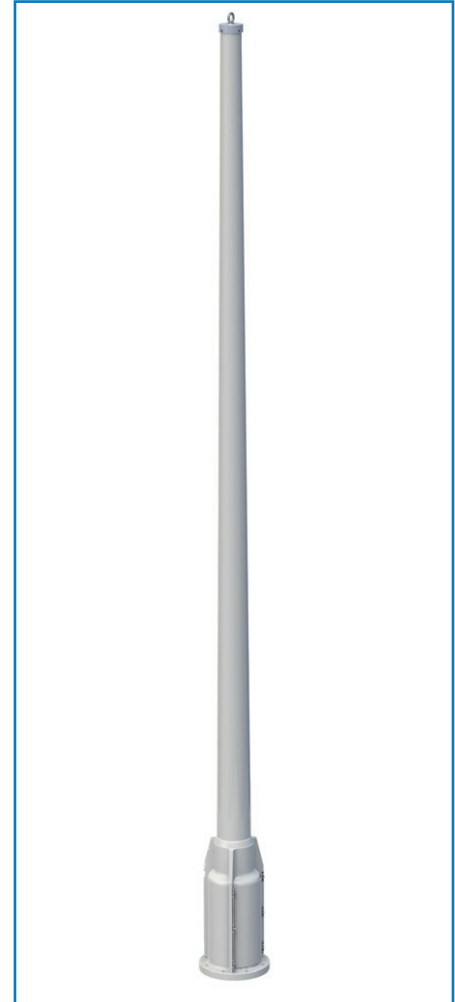
The external radome is a conic structure made in thick fiberglass extrusion, and the base flange is molded in aluminum.

SPECIAL FEATURES:

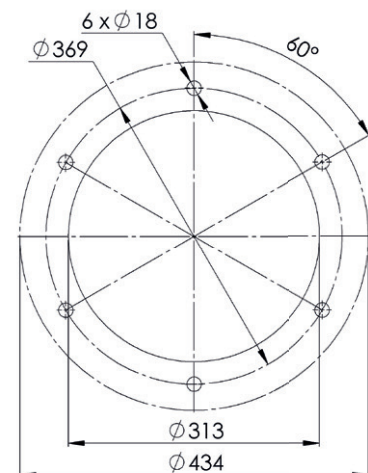
- Broadband: 225÷400 MHz
- Nr. input: 5
- Omnidirectional radiation
- High power: 200 W
- Protected against lightning
- Very rugged construction
- Internal removable de-icing system (on request)

OPTION:

Removable De-icing System T16990023



MOUNTING FLANGE (mm)



Made in Italy. We reserve the right to modify these data without any notice.