



# VHF/UHF DUALBAND OMNIDIRECTIONAL ANTENNA

108 ÷ 156 / 225 ÷ 400 MHz  
Single Polarization, 2 DUPLEXED INPUTS

T01143002

POLOMARCONI.IT

POLOMARCONI offers a very wide range of wireless products. Our products can be tailored according to the customer's need.

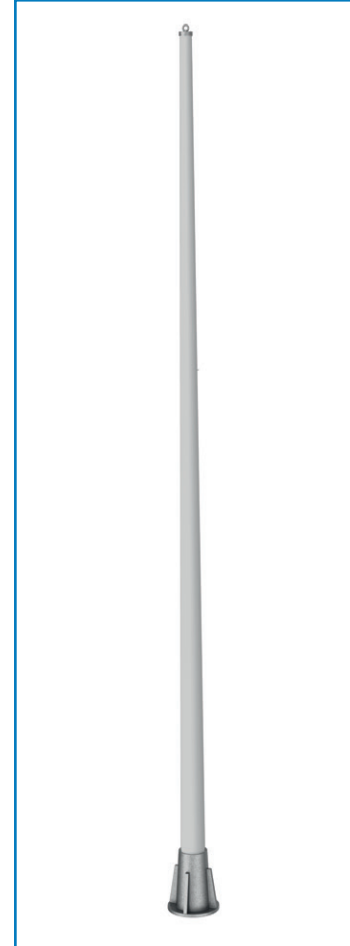
ATC

## Electrical Specifications

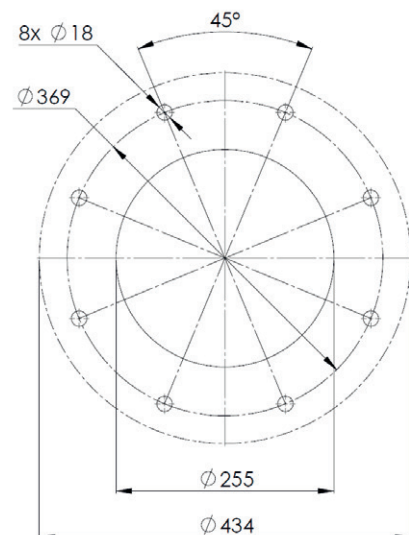
Frequency band (MHz)	VHF	108 ÷ 156
	UHF	225 ÷ 400
Impedance ( $\Omega$ )		50
VSWR		$\leq 2:1$
Continuous Max. Power (W)		200
Polarization		linear vertical
Gain (dBi)		0 (duplexer and cables losses included)
HPBW ( $^\circ$ ) - E-plane		$80 \pm 5$
HPBW ( $^\circ$ ) - H-plane		omni $\pm 1.5$ dB
Isolation (dB) between inputs		$> 43$
Lightning Protection		DC grounded

## Mechanical Specifications

Connectors		2 x Nf
Dimensions (mm)	Length	7130
	Radome diameter	$\varnothing 85 \div 202$
Weight (Kg)		95
Wind load @ 150 Km/h (N)		1340
Colour		RAL 7035 (grey)
Radome		Fiberglass
Mounting		flange $\varnothing 434$ mm
Operating Temp. Range ( $^\circ\text{C}$ )		$-40 \div +70$



## MOUNTING FLANGE (mm)



Made in Italy. We reserve the right to modify these data without any notice.