



UHF OMNIDIRECTIONAL ANTENNA

225 ÷ 400 MHz, Single Polarization, 5 dBi, 1 Input

T01140618

POLOMARCONI.IT

POLOMARCONI offers a very wide range of wireless products. Our products can be tailored according to the customer's need.

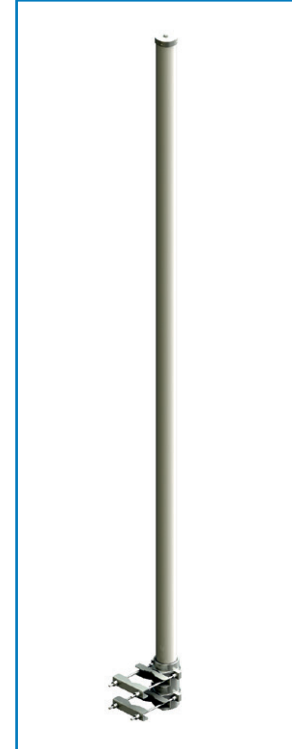
ATC

Electrical Specifications

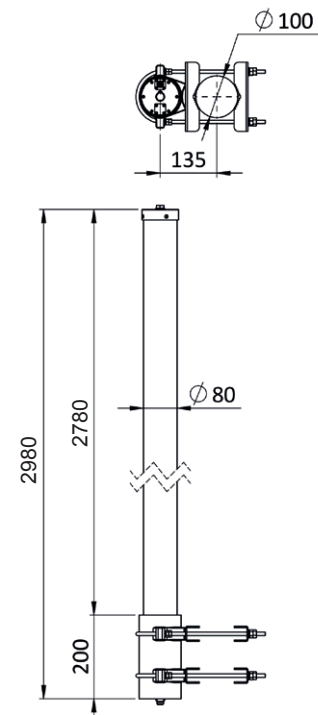
Frequency band (MHz)	225 ÷ 400
Impedance (Ω)	50
VSWR	$\leq 2.5:1$
Continuous Max. Power (W)	< 200
Polarization	linear vertical
Gain (dBi) typ.	≥ 5
HPBW ($^\circ$) - E-plane	18 ± 4
HPBW ($^\circ$) - H-plane	omni ± 0.5 dB
Lightning Protection	DC grounded

Mechanical Specifications

Connector	Nf
Dimensions (mm)	
Length	2980
Radome diameter	$\varnothing 80$
Weight (kg)	< 10
Wind load (N) @ 150 km/h	160
Radome material	Fiberglass
Mounting	by clamps on pole
Operating Temp. Range ($^\circ\text{C}$)	$-40 \div +70$
Storage Temp. Range ($^\circ\text{C}$)	$-50 \div +90$



Dimensions (mm)



Made in Italy. We reserve the right to modify these data without any notice.