



# UHF OMNIDIRECTIONAL ANTENNA

225 ÷ 400 MHz, Single Polarization  
5 dBi, Hard Environmental Sites

T01140606

POLOMARCONI.IT

POLOMARCONI offers a very wide range of wireless products.  
Our products can be tailored according to the customer's need.

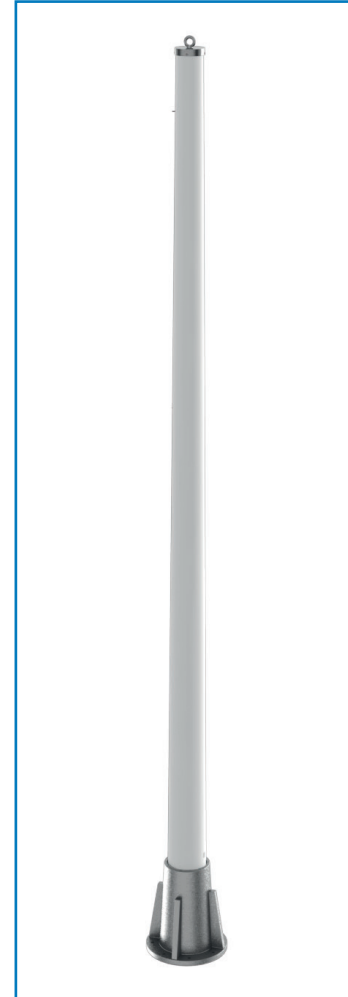
ATC

## Electrical Specifications

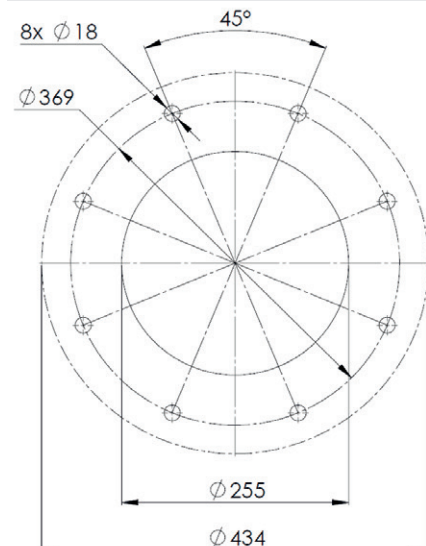
Frequency band (MHz)	225 ÷ 400
Impedance ( $\Omega$ )	50
VSWR	$\leq 2:1$
Continuous Max. Power (W)	200
Polarization	linear vertical
Gain (dBi) typ.	5
HPBW ( $^\circ$ ) - H-plane	omni $\pm 1$ dB
HPBW ( $^\circ$ ) - E-plane	16 $\pm 3$
Lightning Protection	DC grounded

## Mechanical Specifications

Connectors	Nf
Dimensions (mm)	
Length	4820
Radome diameter	$\varnothing 130 \div 202$
Weight (kg)	< 80
Wind load @ 150 km/h (N)	1190
Colour	RAL 7035 (grey)
Radome material	Fiberglass
Mounting	flange $\varnothing 434$ mm
Operating Temp. Range ( $^\circ\text{C}$ )	-40 ÷ +70
Storage Temp. Range ( $^\circ\text{C}$ )	-50 ÷ +80



## MOUNTING FLANGE (mm)



Made in Italy. We reserve the right to modify these data without any notice.