



VHF OMNIDIRECTIONAL ANTENNA

108 ÷ 156 MHz, Single Polarization, 4,5 dBi
2 Inputs, Hard Environmental Sites

T01140405

POLOMARCONI.IT

POLOMARCONI offers a very wide range of wireless products.
Our products can be tailored according to the customer's need.

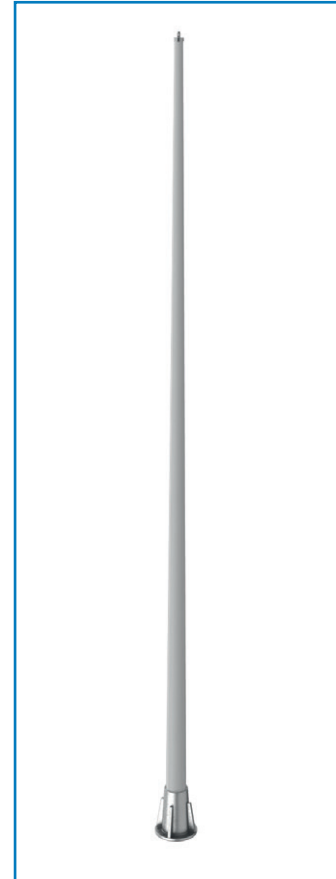
ATC

Electrical Specifications

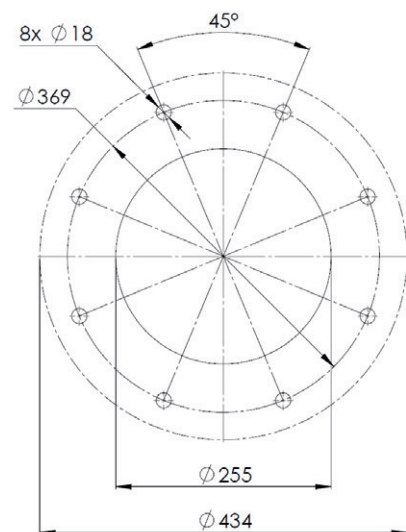
Frequency band (MHz)	108 ÷ 156
Impedance (Ω)	50
VSWR	
118 ÷ 137	$\leq 1.5:1$
108 ÷ 156	$\leq 2.0:1$
Continuous Max. Power (W)	< 200
Polarization	linear vertical
Gain (dBi) typ.	4.5
HPBW ($^{\circ}$) - H-plane	omni ± 1 dB
HPBW ($^{\circ}$) - E-plane	35 ± 2
Isolation (dB) between inputs	≥ 30
Lightning Protection	DC grounded

Mechanical Specifications

Connectors	2 x Nf
Dimensions (mm)	
Length	8126
Radome diameter	$\varnothing 77 \div 202$
Weight (kg)	96
Wind load @ 220 km/h (N)	< 2000
Radome material	Fiberglass
Colour	RAL 7035 (grey)
Mounting	flange $\varnothing 434$ mm
Operating Temp. Range ($^{\circ}\text{C}$)	$-40 \div +70$
Storage Temp. Range ($^{\circ}\text{C}$)	$-50 \div +80$



MOUNTING FLANGE (mm)



Made in Italy. We reserve the right to modify these data without any notice.