



VHF/UHF/VHF OMNI MULTIPLE ANTENNA

108 ÷ 156 MHz / 225 ÷ 400 MHz, 2 dBi, 3 Inputs

T01131608

POLOMARCONI.IT

POLOMARCONI offers a very wide range of wireless products. Our products can be tailored according to the customer's need.

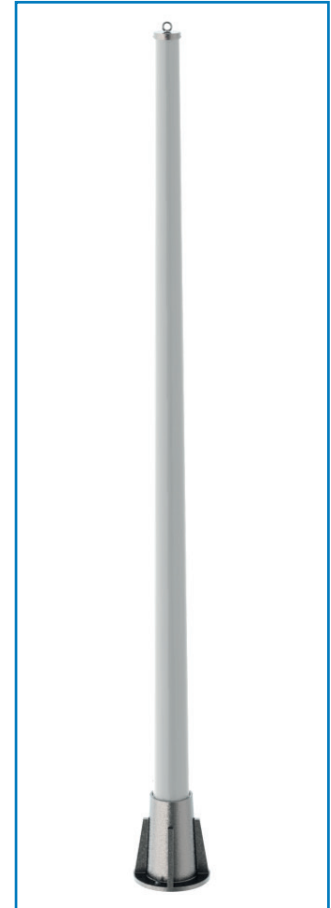
ATC

Electrical Specifications

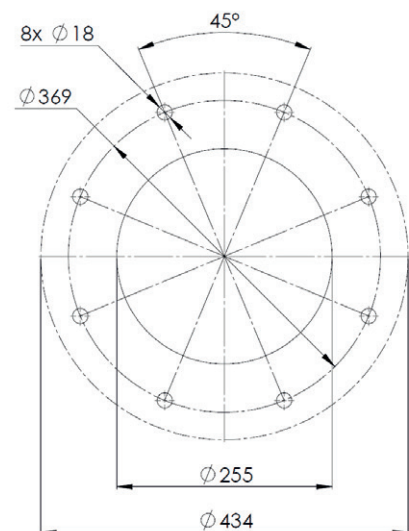
Frequency Band (MHz)	VHF	108 ÷ 156
	UHF	225 ÷ 400
Impedance (Ω)		50
VSWR		≤ 2
Isolation (dB) between inputs		≥ 27
Continuous Max. Power (W)		200
Polarization		linear vertical
Gain (dBi)		2
HPBW ($^{\circ}$) - H-plane		omni ± 1 dB
HPBW ($^{\circ}$) - E-plane		80 ± 5
Lightning Protection		DC grounded

Mechanical Specifications

Connectors	VHF	2 x Nf
	UHF	1 X Nf
Dimensions (mm)	Length	5374
	Radome diameter	$\varnothing 134 \div 202$
Weight (kg)		81
Wind load @ 150 km/h (N)		1020
Color		RAL 7035 (grey)
Radome material		Fiberglass
Mounting		flange $\varnothing 434$ mm
Operating Temp. Range ($^{\circ}\text{C}$)		$-40 \div +70$
Storage Temp. Range ($^{\circ}\text{C}$)		$-50 \div +80$



MOUNTING FLANGE (mm)



Made in Italy. We reserve the right to modify these data without any notice.