



# VHF OMNIDIRECTIONAL ANTENNA

108 ÷ 156 MHz, Single Polarization  
2 dBi, 2 Inputs, Hard Environmental Sites

T01130404

POLOMARCONI.IT

POLOMARCONI offers a very wide range of wireless products.  
Our products can be tailored according to the customer's need.

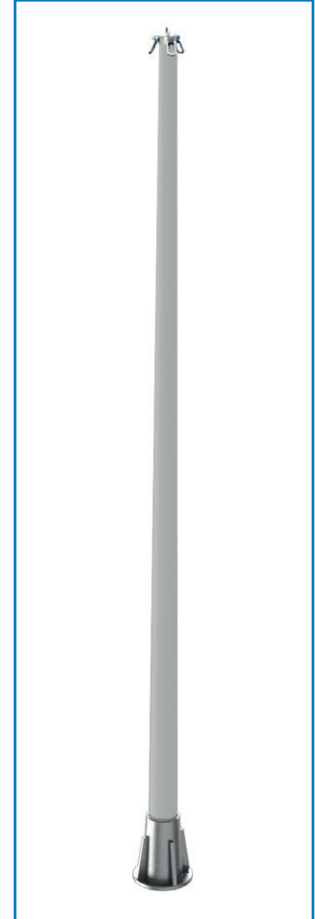
ATC

## Electrical Specifications

Frequency Band (MHz)	108 ÷ 156
Impedance ( $\Omega$ )	50
VSWR	$\leq 2.0:1$
Continuous Max. Power (W)	500
Polarization	linear vertical
Gain (dBi) typ.	2
HPBW ( $^\circ$ ) - H-plane	omni $\pm 1$ dB
HPBW ( $^\circ$ ) - E-plane	$80 \pm 5$
Isolation (dB) between inputs	$\geq 40$
Lightning Protection	DC grounded

## Special Features

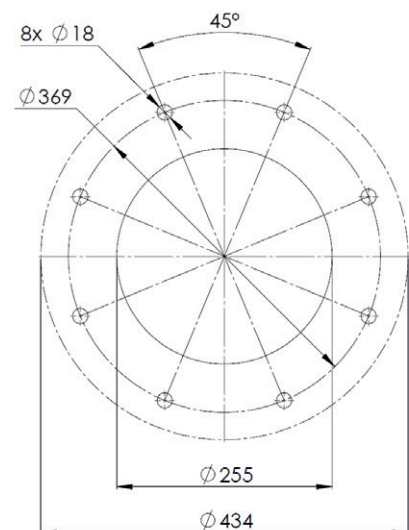
Antenna is designed for support guy line ropes.



## Mechanical Specifications

Connectors	2 x Nf
Dimensions (mm)	
Length	6140
Radome diameter	$\varnothing 118 \div 202$
Weight (kg)	83
Wind load @ 150 km/h (N)	1220
Color	RAL 7035 (grey)
Radome material	Fiberglass
Mounting	flange $\varnothing 434$ mm
Operating Temp. Range ( $^\circ\text{C}$ )	$-40 \div +70$
Storage Temp. Range ( $^\circ\text{C}$ )	$-50 \div +80$

## MOUNTING FLANGE (mm)



Made in Italy. We reserve the right to modify these data without any notice.