



# EXTERNAL OMNIDIRECTIONAL WIDE BAND HIGH GAIN ANTENNA

790 ÷ 960 MHz / 1710 ÷ 2170 MHz / 2500 ÷ 2700 MHz

T01121811

POLOMARCONI.IT



POLOMARCONI offers a very wide range of wireless products.  
Our products can be tailored according to the customer's need.

M2M

## Electrical Specifications

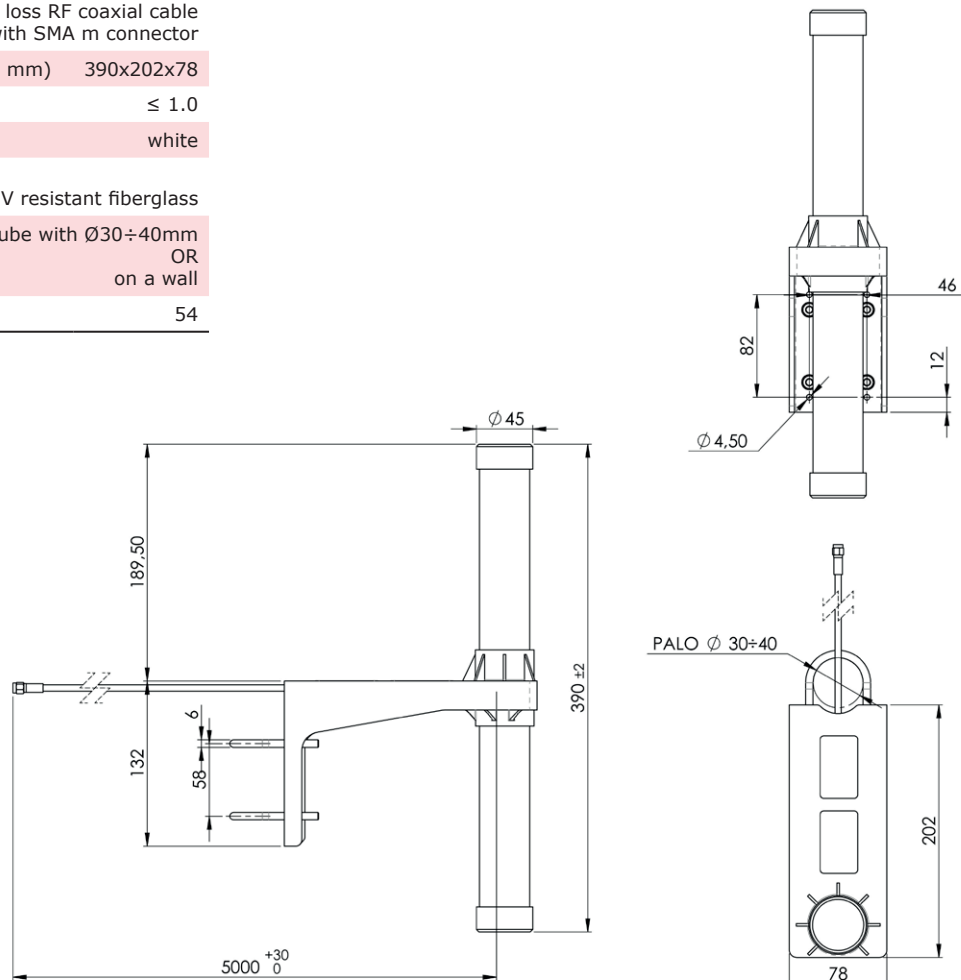
Frequency bands (MHz)	790 ÷ 960 1710 ÷ 2170 2500 ÷ 2700
Impedance ( $\Omega$ )	50
VSWR	$\leq 2.5:1$
Continuous Max. Power (W)	7
Polarization	linear vertical
Gain (dBi) with 5m of coaxial cable losses	$\geq 0$
HPBW ( $^\circ$ ) - H-plane	360
HPBW ( $^\circ$ ) - E-plane	$\leq 46$
Horizontal plane max. to min. ratio (dB)	$\leq 5$
Operation Temp. Range ( $^\circ\text{C}$ )	-25 ÷ +55
Storage Temp. Range ( $^\circ\text{C}$ )	-45 ÷ +60



## Mechanical Specifications

Connector	5m of 50 $\Omega$ low loss RF coaxial cable with SMA m connector
Dimensions (height x width x depth, mm)	390x202x78
Weight (kg)	$\leq 1.0$
Colour	white
Material	radome UV resistant fiberglass
Mounting	on a master tube with $\varnothing 30 \div 40$ mm OR on a wall
IP protection	54

## Dimensions (mm)



Made in Italy. We reserve the right to modify these data without any notice.