



# UHF OMNIDIRECTIONAL ANTENNA

225 ÷ 400 MHz, Single Polarization  
2 dBi, 2 Inputs, High Contrast Colour

T01120623

POLOMARCONI.IT

POLOMARCONI offers a very wide range of wireless products.  
Our products can be tailored according to the customer's need.

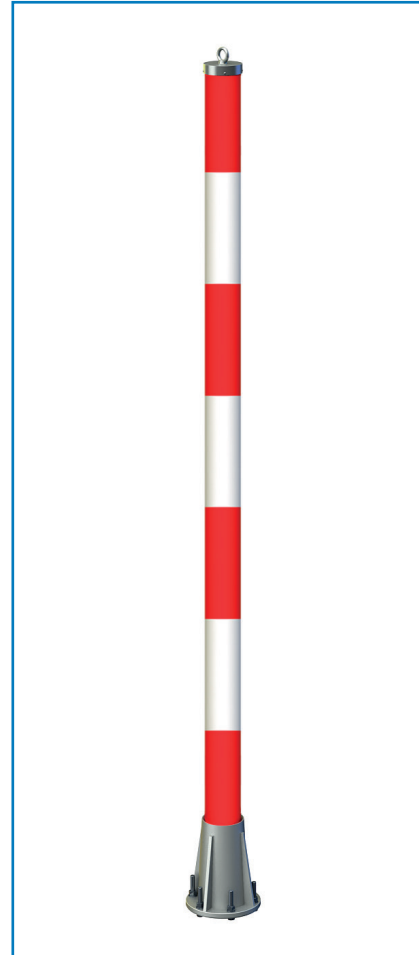
ATC

## Electrical Specifications

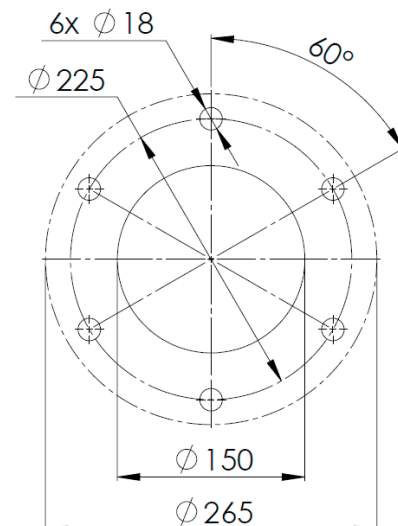
Frequency band (MHz)	225 ÷ 400
Impedance ( $\Omega$ )	50
VSWR	$\leq 2:1$
Continuous Max. Power (W)	200
Polarization	linear vertical
Gain (dBi) typ.	2
HPBW ( $^\circ$ ) - H-plane	omni $\pm 1$ dB
HPBW ( $^\circ$ ) - E-plane	80 $\pm 5$
Isolation (dB) between inputs	$\geq 27$
Lightning Protection	DC grounded

## Mechanical Specifications

Connectors	2 x Nf
Dimensions (mm)	
Length	2425
Radome diameter	$\varnothing 127$
Weight (kg)	23
Wind load @ 150 km/h (N)	386
Colour	RAL 2002 (Red) / RAL 9010 (White)
Radome material	Fiberglass
Mounting	flange $\varnothing 265$ mm
Operating Temp. Range ( $^\circ\text{C}$ )	-40 ÷ +70



## MOUNTING FLANGE (mm)



Made in Italy. We reserve the right to modify these data without any notice.