



UHF OMNIDIRECTIONAL ANTENNA

225 ÷ 400 MHz, 2 dipoles, De-Icing System Integrated

T01120615

POLOMARCONI.IT

POLOMARCONI offers a very wide range of wireless products. Our products can be tailored according to the customer's need.

ATC

Electrical Specifications

Frequency band (MHz)	225 ÷ 400
Impedance (Ω)	50
VSWR	$\leq 2:1$
Polarization	linear vertical
Continuous Max. Power (W)	200
Gain (dBi) typ.	2
HPBW ($^\circ$) - H-plane	omni ± 1 dB
HPBW ($^\circ$) - E-plane	80 ± 5
Isolation (dB)	≥ 27
Lightning Protection	DC grounded

Mechanical Specifications

Connectors	2 x NF
Dimensions (mm)	
Length	3100
Radome diameter	$\varnothing 180 \div 207$
Weight (kg)	86
Wind load @ 150 km/h (N)	700
Colour	RAL 7035 (grey)
Radome material	Fiberglass
Mounting	flange $\varnothing 434$ mm
Operating Temp. Range ($^\circ\text{C}$)	-40 ÷ +70

De-Icing Specifications

*Peak Power (W)	4600 max
Feeding (V_{AC})	220
Heater System	Hot Air Blower
Control Interfaces	RS485 ETHERNET
Sensors	
Internal	Temperature
External	Temp. & Humidity
Interface Conn.	RJ45
Power Conn.	3+PE
Removable De-icing System	T16990023

* Peak Power consumption is function of external temperature

DESCRIPTION

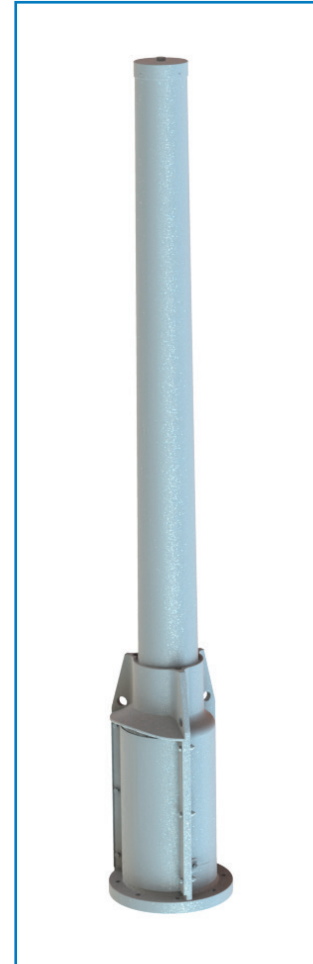
Special collinear antennas suitable for Hard Environmental Sites [HES].

Purposely designed to withstand extreme ambiental conditions - ice, wind and low temperature with integrated de-icing system. This device can be easily removed directly on site for maintenance purposes.

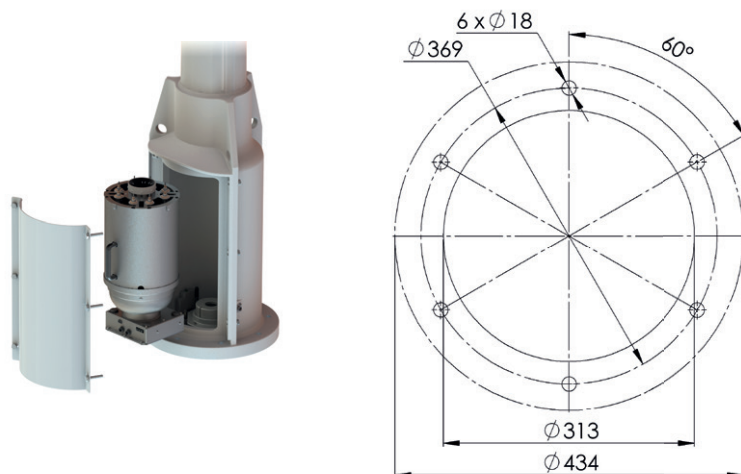
The external radome is a conic structure made in thick fiberglass extrusion and the base flange is molded in aluminum.

SPECIAL FEATURES:

- Broadband: 225÷400 MHz
- Nr. input: 2
- Omnidirectional radiation
- High power: 200 W
- Protected against lightning
- Very rugged construction
- Internal removable de-icing system



MOUNTING FLANGE (mm)



Made in Italy. We reserve the right to modify these data without any notice.