



GPS ANTENNA WITH BRACKET

1575.42 ± 10 MHz

T01113245

POLOMARCONI.IT

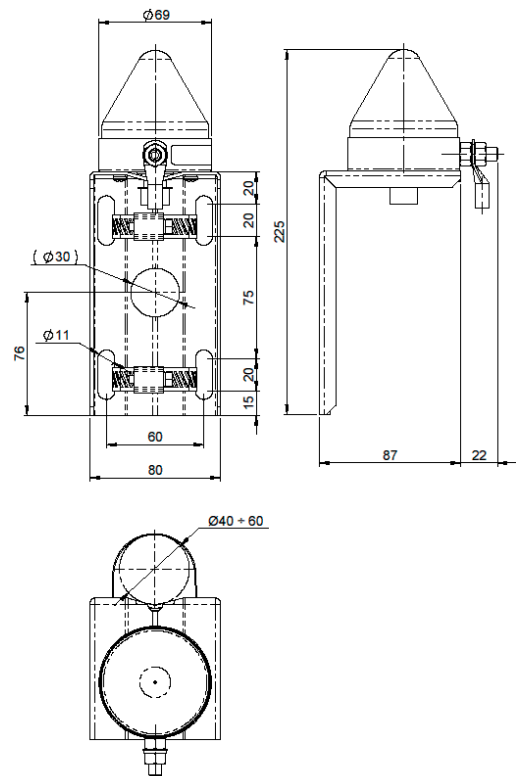


POLOMARCONI offers a very wide range of wireless products. Our products can be tailored according to the customer's need.

CELLULAR

Electrical Specifications

Frequency Band (MHz)	1575.42 ± 10
Impedance (Ω)	50
Polarization	RHCP
Gain at zenith (dBi)	≥ 5
Gain zenith to 10° above horizon (dBi)	≥ - 3
Gain below horizon (dBi)	≤ - 5
Antenna pattern	omnidirectional
Omni variation, peak to peak per elevation cut from zenith to 10° horizon above (dB)	< 1.5
HPBW vertical out (degree)	> 105
Cross polar discrimination (copolar)	> 12
VSWR	≤ 1.8
LNA Gain min	26
LNA Gain max	36
Noise figure (dB)	≤ 3
Input 1 dB compression point (dBm)	≥ - 30
Out of band rejection	
@±10 MHz (dB)	≥ 1
@±50 MHz (dB)	≥ 40
@±70MHz to 1200 (dB)	≥ 45
Supply Voltage (V)	4 ÷ 6
Protected to abnormal voltage (V)	- 30 ÷ 3.9 + 6.1 ÷ 30
Power consumption (mA)	< 60
Op. Temp. Range (°C)	-40 ÷ 55
Non Desctructive Range (°C)	-40 ÷ 70
Lightning Protection	5 kA, 10/350µs (IEC 62305-1)



Mechanical Specifications

Connector	Nf
Dimension (mm)	Ø 70 x 96
Color	RAL 9003
Weight (g) (without bracket)	187
Cover cap	Makrolon 6265
Fixing	metal clamps
Protection	IP65



Made in Italy. We reserve the right to modify these data without any notice.