



OMNI DUAL BAND ANTENNA

880 ÷ 960 MHz, 1710 ÷ 1880 MHz, $1/4 \lambda$

T01111999

POLOMARCONI.IT



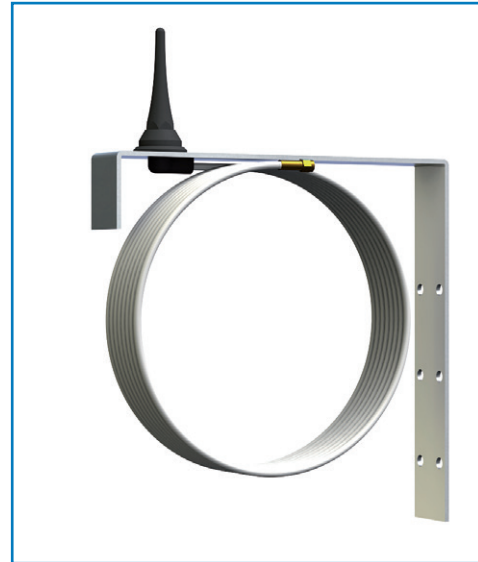
POLOMARCONI offers a very wide range of wireless products. Our products can be tailored according to the customer's need.

M2M

Electrical Specifications

Frequency band (MHz)	880 ÷ 960 1710 ÷ 1880
Impedance (Ω)	50
VSWR	$\leq 2.0:1$
Continuous Max. Power (W)	10
Polarization	linear vertical
Gain (dBi) without the 5000mm coaxial cable Insertion Losses (*)	2.1
HPBW ($^\circ$) - H-plane (*)	omni
Operation Temp. Range ($^\circ\text{C}$)	-30 ÷ +75

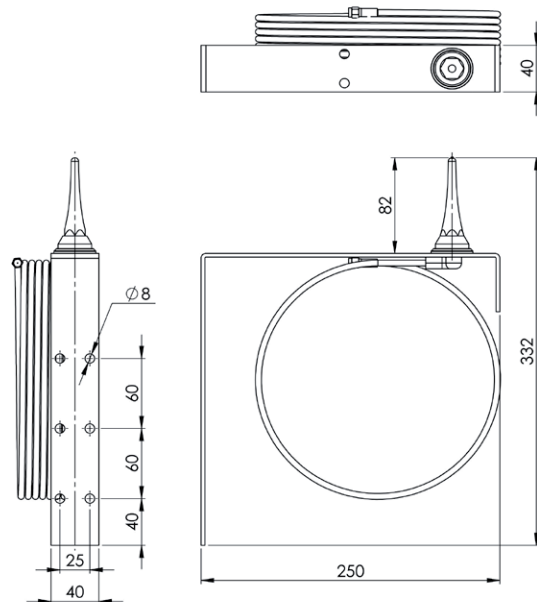
(*) measurement has been performed with the antenna installed at the center of a metallic conductive 700x700mm square ground plane. Measured gain value could have a maximum lower tolerance of 1dBi.



Mechanical Specifications

Connector	5000mm of low loss RF coaxial cable pigtail with SMA m connector
Dimensions (mm)	see dimensional drawings
Weight (kg)	abt. 1
Colour	antenna black
Mounting	L bracket
IP protection	65

Dimensional drawings



All dimensions are in mm