



EXTERNAL OMNIDIRECTIONAL WIDE BAND ANTENNA

790 ÷ 960 MHz / 1710 ÷ 2170 MHz / 2500 ÷ 2700 MHz

T01111807

POLOMARCONI.IT



POLOMARCONI offers a very wide range of wireless products.
Our products can be tailored according to the customer's need.

M2M

Electrical Specifications

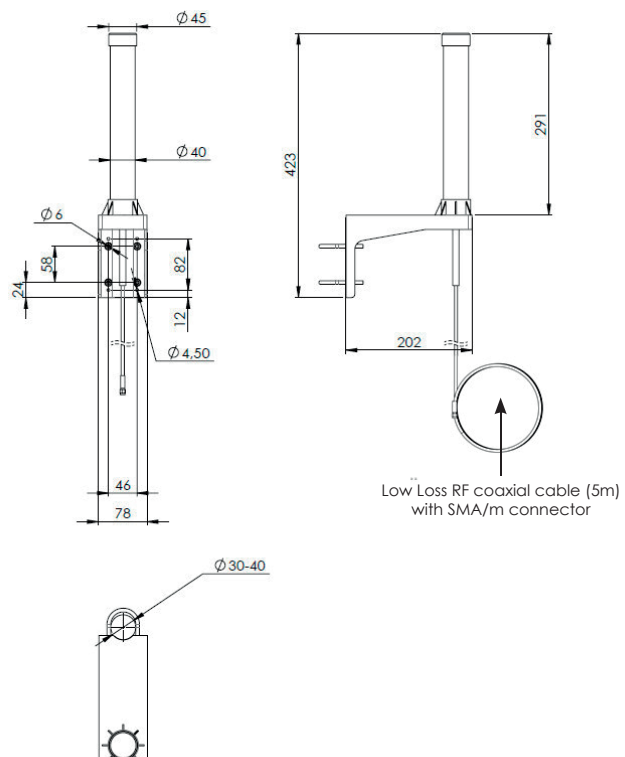
Frequency bands (MHz)	790 ÷ 960 1710 ÷ 2170 2500 ÷ 2700
Impedance (Ω)	50
VSWR	$\leq 2.0:1$
Continuous Max. Power (W)	25
Polarization	linear vertical
Gain (dBi) with 5m of coaxial cable losses	≥ 0
HPBW ($^\circ$) - H-plane	360
HPBW ($^\circ$) - E-plane	≥ 30
Horizontal plane max. to min. ratio (dB)	≤ 1.5
Operation Temp. Range ($^\circ\text{C}$)	-25 ÷ +55
Storage Temperature ($^\circ\text{C}$)	-45 ÷ +60



Mechanical Specifications

Connector	5m of 50 Ω low loss RF coaxial cable with SMA m connector
Dimensions (height x width x depth, mm)	423x202x78
Weight (kg)	1.2
Colour	white
Material	radome UV resistant fiberglass
Mounting	on a master tube with $\varnothing 30 \div 40\text{mm}$ OR on a wall
IP protection	54

Dimensions (mm)



Made in Italy. We reserve the right to modify these data without any notice.