



UHF OMNIDIRECTIONAL ANTENNA

225 ÷ 400 MHz, Single input, 2 dBi, Obstruction Light

T01110622

POLOMARCONI.IT

POLOMARCONI offers a very wide range of wireless products.
Our products can be tailored according to the customer's need.

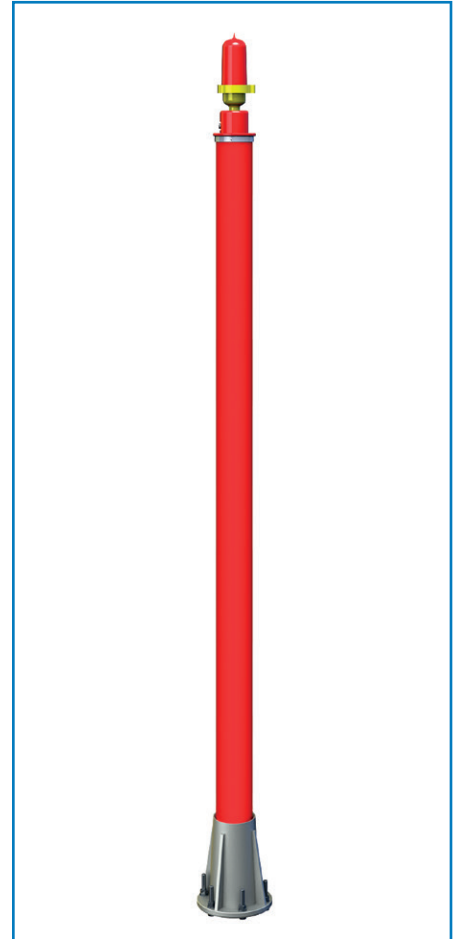
ATC

Electrical Specifications

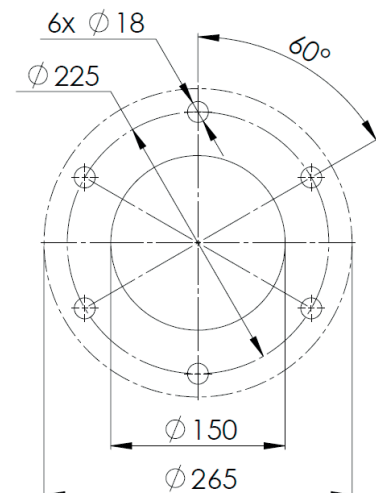
Frequency band (MHz)	225 ÷ 400
Impedance (Ω)	50
VSWR	$\leq 2:1$
Continuous Max. Power (W)	500
Power Supply (V_{AC})	220
Polarization	linear vertical
Gain (dBi)	2
HPBW ($^\circ$) - H-plane	omni ± 0.5 dB
HPBW ($^\circ$) - E-plane	80 ± 5
Lightning Protection	DC grounded

Mechanical Specifications

Connector	Nf
Power Connector	3+PE male
Dimensions (mm)	
Length	1460
Radome diameter	$\varnothing 127$
Weight (kg)	8
Wind Load (N) @ 150 km/h	137
Colour	RAL 2002 (Red)
Radome material	Fiberglass
Mounting	flange $\varnothing 265$ mm
Operating Temp. Range ($^\circ\text{C}$)	$-40 \div +70$



MOUNTING FLANGE (mm)



Made in Italy. We reserve the right to modify these data without any notice.