



UHF OMNIDIRECTIONAL ANTENNA

225 ÷ 400 MHz, Single Input, 2 dBi, with bracket

T01110607

POLOMARCONI.IT

POLOMARCONI offers a very wide range of wireless products. Our products can be tailored according to the customer's need.

ATC

Electrical Specifications

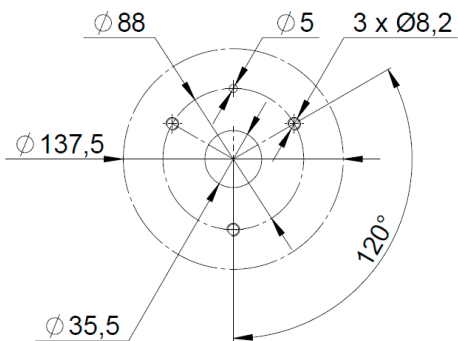
Frequency band (MHz)	225 ÷ 400
Impedance (Ω)	50
VSWR	$\leq 2:1$
Continuous Max. Power (W)	500
Polarization	linear vertical
Gain (dBi) typ.	2
HPBW ($^\circ$) - H-plane	omni ± 0.5 dB
HPBW ($^\circ$) - E-plane	80 ± 5
Lightning Protection	DC grounded

Mechanical Specifications

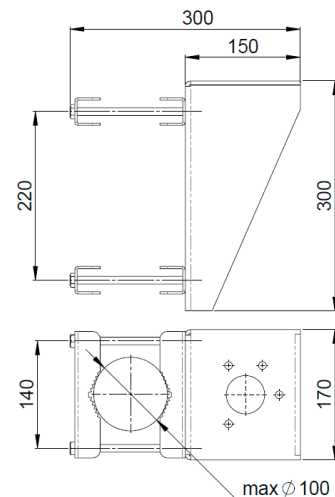
Connector	Nf
Dimensions (mm)	
Length	840
Radome diameter	$\varnothing 127$
Weight (kg)	4.7
Wind Load (N) @ 220 km/h	270
Wind and Ice Load (N) with 30mm of ice and continuous wind @220km/h	400
Colour	RAL 7035
Radome material	Fiberglass
Mounting	bracket included
Operating Temp. Range ($^\circ\text{C}$)	$-40 \div +70$



Mounting Flange (mm)



Bracket Dimensions (mm)



Made in Italy. We reserve the right to modify these data without any notice.