



# ANTENNA 169 MHz FOR SMART TELEMETERING

T01101807

POLOMARCONI.IT

POLOMARCONI offers a very wide range of wireless products.  
Our products can be tailored according to the customer's need.

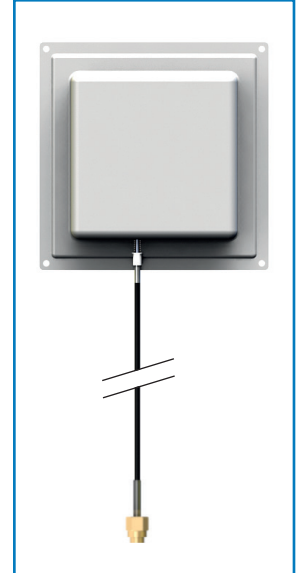
M2M

## Electrical Specifications

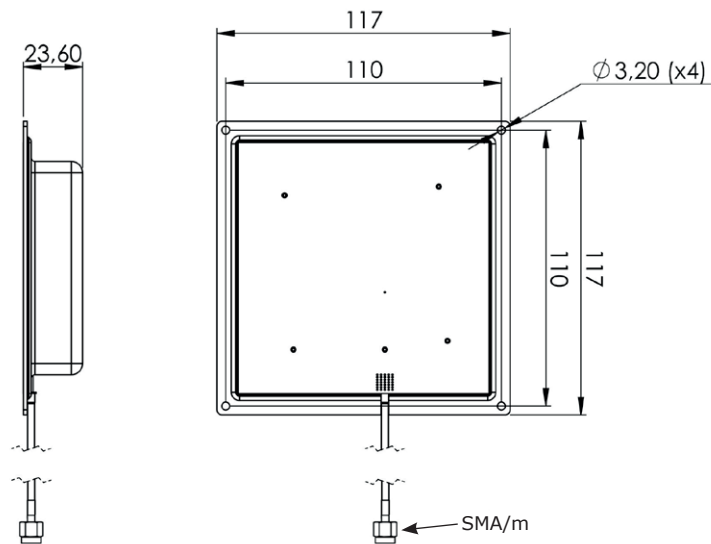
Frequency band (MHz)	169.4
Impedance ( $\Omega$ )	50
VSWR	< 2.5
Polarization linear	vertical
Gain (dBi)	$\geq 4$
Lightning Protection	DC grounded
Operating Temp. Range ( $^{\circ}\text{C}$ )	-30 $\div$ +60

## Mechanical Specifications

Connectors	SMA/m
Antenna coax cable (mm)	4000
Dimensions (mm)	117 x 117 x 23.6
Weight (kg)	0.3
IP rating	IP 65



## Dimensions (mm)



NOTE: Part of Passive Repeater T02101802

Made in Italy. We reserve the right to modify these data without any notice.

C2-PUBLIC