



UHF 4 WAYS POWER SPLITTER FOR ARRAYS OF ANTENNAS

415 ÷ 470 MHz

R-6.10.005.01
R-4 Y10 NZ

POLOMARCONI.IT



POLOMARCONI offers a very wide range of wireless products.
Our products can be tailored according to the customer's need.

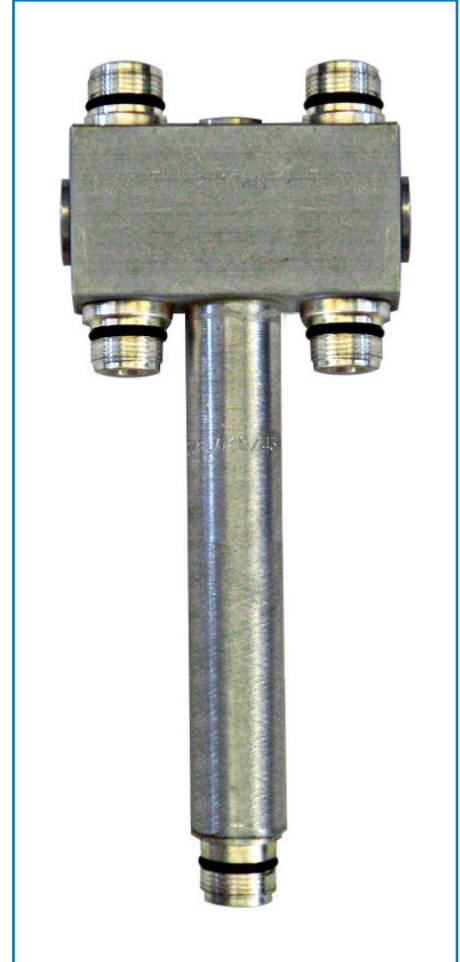
PMR

Electrical Specifications

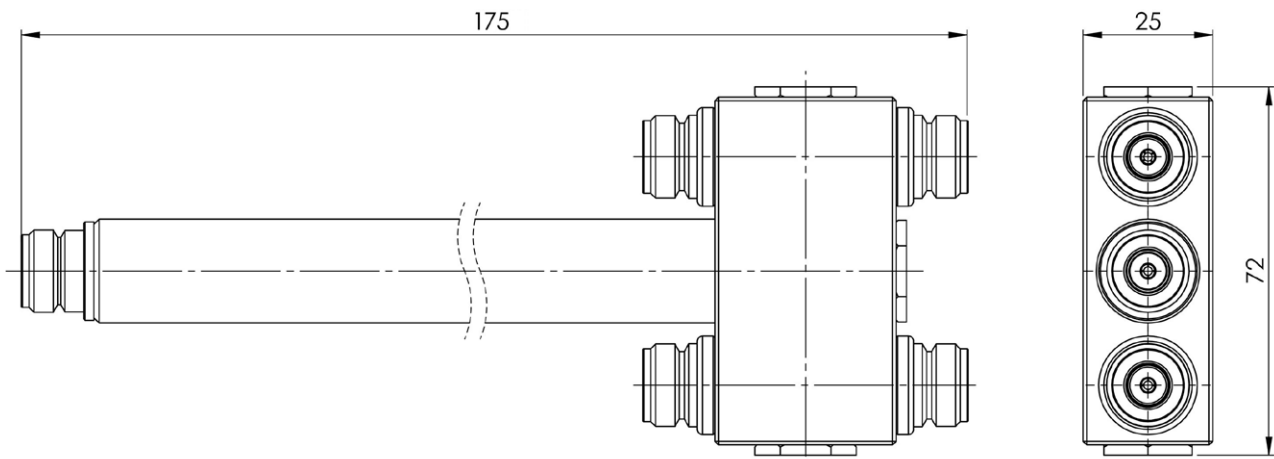
Frequency band (MHz)	415 ÷ 470
Impedance (Ω)	50
VSWR	$\leq 1.3:1$
Continuous Max. Power (W)	1000
Insertion loss (dB)	≤ 0.25
Operating Temp. Range ($^{\circ}\text{C}$)	-35 ÷ +80

Mechanical Specifications

Connector	N f
Dimensions (mm)	25 x 72 x 175
Net weight (g)	300
Hermetic seal	Pass helium leak test of 1×10^{-10} cc/sec
Inner conductor	Brass silver plated
Housing material	Aluminium alloy DIN 3.3206



Dimensions (mm)



BY



Made in Italy. We reserve the right to modify these data without any notice.