



# VHF 4 WAYS COUPLER FOR ARRAYS OF ANTENNAS

136 ÷ 174 MHz, R-4 Y10 NH

R-6.10.004.01

POLOMARCONI.IT

POLOMARCONI offers a very wide range of wireless products. Our products can be tailored according to the customer's need.

PMR

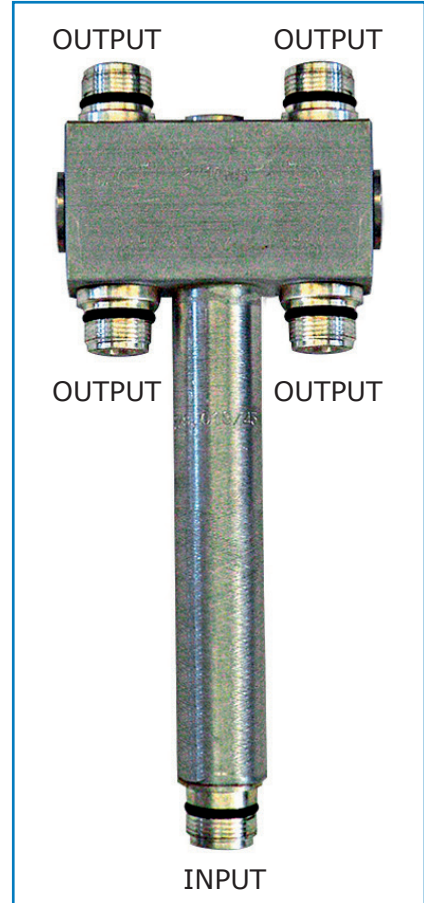
## Electrical Specifications

Frequency band (MHz)	136 ÷ 174	
Impedance ( $\Omega$ )	50	
INPUT VSWR	136 ÷ 140 MHz	< 1.70:1
	140 ÷ 155 MHz	< 1.60:1
	155 ÷ 174 MHz	< 1.25:1
Continuous Max. Power (W)	1000	
Insertion loss (dB) (Above Theoretical)	Typ.	0.2
Operating Temp. Range ( $^{\circ}$ C)	-35 ÷ +80	

## DESCRIPTION

This coupler finds its specific application in arrays of Yagi antennas.

High performances and professional equipment.



## Mechanical Specifications

Connector	N f	
Dimensions (mm)	25 x 72 x 210	
Net weight (g)	400	
Hermetic seal	Pass helium leak test of 1x10 <sup>-10</sup> cc/s	
Inner conductor	Brass silver plated	
Housing material	Aluminium alloy DIN 3.3206	

## Dimensions (mm)

