



# YAGI 2 ELEMENTS VHF ANTENNA

72 ÷ 76 MHz

R-4.06.043.01

R-Y 210 NE

VVFF

PMR

POLOMARCONI.IT



POLOMARCONI offers a very wide range of wireless products. Our products can be tailored according to the customer's need.

## Electrical Specifications

Frequency band (MHz)	72 ÷ 76
Impedance ( $\Omega$ )	50
VSWR	$\leq 1.5:1$
Continuous Max. Power (W)	150
Polarization	vertical or horizontal
Gain	
(dB over $\lambda/2$ dipole)	3
(dBi)	5
HPBW ( $^\circ$ ) - H-plane	150
HPBW ( $^\circ$ ) - E-plane	72
Front-to-back ratio (dB)	> 9
Lightning protection	DC grounded
Operation Temp. Range ( $^\circ\text{C}$ )	$-35^\circ \div +80^\circ$

## DESCRIPTION:

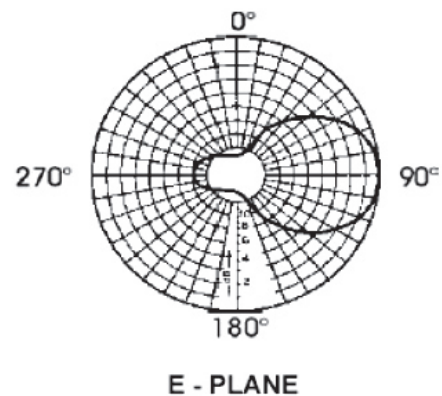
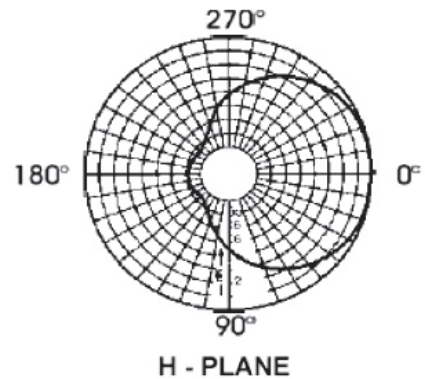
Yagi 2 elements antenna for VHF band. All parts of the antenna are DC grounded for lightning protection.



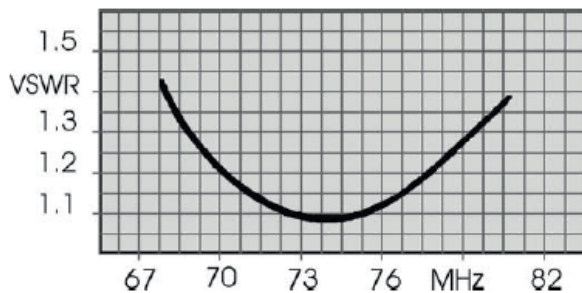
## Mechanical Specifications

Connector	N f
Dimensions (Height x Width, mm)	2000 x 1500
Weight (kg)	3.8
Max. wind velocity (km/h)	160
Materials	
Boom	Aluminum alloy DIN 3.2315
Elements	Aluminum alloy DIN 3.2306
Mounting	on master tube with diameter 33 ÷ 60 mm

## Radiation Patterns



## VSWR curve



BY



Made in Italy. We reserve the right to modify these data without any notice.