



YAGI 2 ELEMENTS VHF ANTENNA

R-Y 212 NH, 154 ÷ 174 MHz

R-4.06.042.01

POLOMARCONI.IT

POLOMARCONI offers a very wide range of wireless products. Our products can be tailored according to the customer's need.

PMR

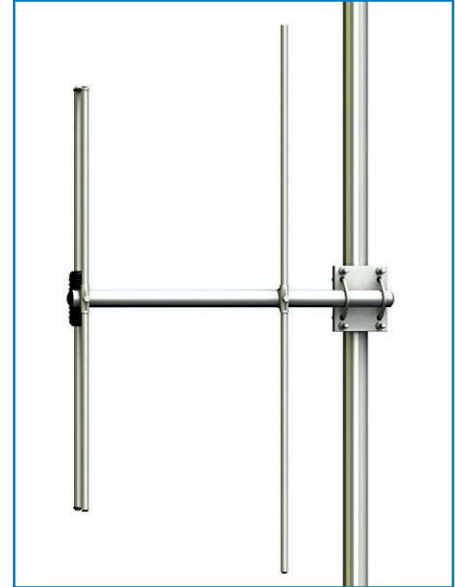
Electrical Specifications

Frequency band (MHz)	154 ÷ 174
Input Impedance (Ω)	50
VSWR	< 1.5:1
Continuous Max. Power (W)	150
Polarization	vertical or horizontal
Gain (dBd)	3
HPBW ($^{\circ}$) - E-plane	74 $^{\circ}$
HPBW ($^{\circ}$) - H-plane	170 $^{\circ}$
Front to Back Ratio (dB)	> 9
Operating Temp. Range ($^{\circ}$ C)	-35 ÷ +80

DESCRIPTION

Yagi 2 elements antenna for VHF band.

All parts of the antenna are DC grounded from lightning protection.

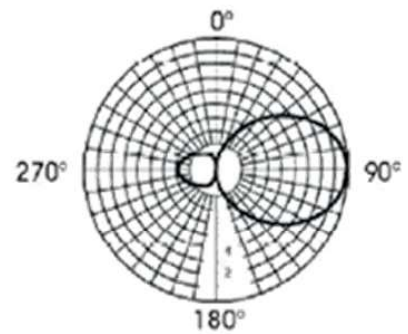


Mechanical Specifications

Connector	N f	
Dimensions (mm)	615 x 955	
Weight (kg)	abt. 2.3	
Max. wind velocity (km/h)	160	
Materials	boom	Aluminum alloy DIN 3.2315
	elements	Aluminum alloy DIN 3.2306
Mounting mast tube \varnothing (mm)	33 ÷ 60	

Radiation Patterns

Vertical Plane



Horizontal Plane

