



YAGI 3 ELEMENTS VHF ANTENNA

146 ÷ 167 MHz

R-4.06.041.01

R-Y 313 NH

POLOMARCONI.IT



POLOMARCONI offers a very wide range of wireless products. Our products can be tailored according to the customer's need.

PMR

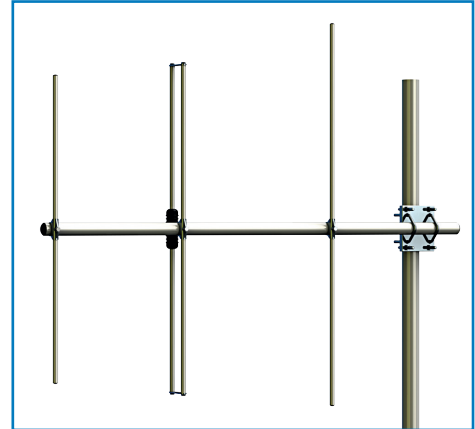
Electrical Specifications

Frequency Band (MHz)	146 ÷ 167
Impedance (Ω)	50
VSWR at resonant frequency	< 1.5:1
Continuous Max. Power (W)	150
Polarization	vertical or horizontal
Gain (dBd)	5
HPBW ($^{\circ}$) - E-plane	68
HPBW ($^{\circ}$) - H-plane	120
Front to back Ratio (dBd)	> 16
Operation Temp. Range ($^{\circ}$ C)	-35 $^{\circ}$ ÷ +80 $^{\circ}$

DESCRIPTION:

Yagi 3 elements antenna for VHF band.

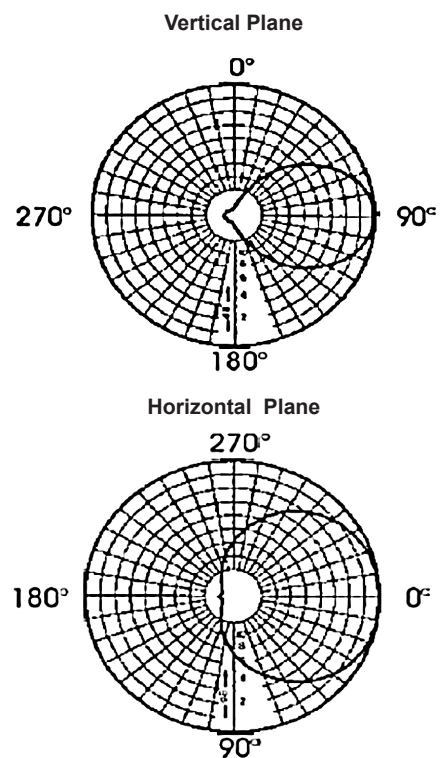
All parts of the antenna are DC grounded from lightning protection.



Mechanical Specifications

Connector	N f
Dimensions (mm)	980 x 1215
Weight (kg)	2.7
Max. wind velocity (km/h)	160
Mounting hole (mm)	33 ÷ 60
Materials	
boom	Aluminum alloy DIN 3.2315
elements	Aluminum alloy DIN 3.2306

Radiation Patterns



BY



Made in Italy. We reserve the right to modify these data without any notice.